

DATA SHEET

TDA9811

**Multistandard VIF-PLL with QSS-IF
and AM demodulator**

Product specification
Supersedes data of 1995 Oct 03
File under Integrated Circuits, IC02

1998 Feb 09

Multistandard VIF-PLL with QSS-IF and AM demodulator

TDA9811
FEATURES

- 5 V supply voltage
- Two switched VIF inputs, gain controlled wide band VIF-amplifier (AC-coupled)
- True synchronous demodulation with active carrier regeneration (very linear demodulation, good intermodulation figures, reduced harmonics, excellent pulse response)
- Robustness for over-modulation better than 105% due to gated phase detector at L/L accent standard
- VCO frequency switchable between L and L accent (alignment external) picture carrier frequency
- Separate video amplifier for sound trap buffering with high video bandwidth
- VIF-AGC detector for gain control, operating as peak sync detector for B/G and peak white detector for L (optional external AGC); signal controlled reaction time for L
- Tuner AGC with adjustable takeover point (TOP)
- AFC detector without extra reference circuit
- SIF input for single reference QSS mode (PLL controlled); SIF AGC detector for gain controlled SIF amplifier; single reference QSS mixer able to operate in high performance single reference QSS mode
- AM demodulator without extra reference circuit
- AM mute (especially for NICAM)
- Stabilizer circuit for ripple rejection and to achieve constant output signals
- ESD protection for all pins.

GENERAL DESCRIPTION

The TDA9811 is an integrated circuit for multistandard vision IF signal processing and sound AM, with single reference QSS-IF in TV and VCR sets.

ORDERING INFORMATION

TYPE NUMBER	PACKAGE		
	NAME	DESCRIPTION	VERSION
TDA9811	SDIP32	plastic shrink dual in-line package; 32 leads (400 mil)	SOT232-1

Multistandard VIF-PLL with QSS-IF and AM demodulator

TDA9811

QUICK REFERENCE DATA

SYMBOL	PARAMETER	CONDITIONS	MIN.	TYP.	MAX.	UNIT
V_P	supply voltage		4.5	5	5.5	V
I_P	supply current		93	109	125	mA
$V_{i\ VIF(rms)}$	vision IF input signal voltage sensitivity (RMS value)	-1 dB video at output	-	60	100	μV
$V_{o\ CVBS(p-p)}$	CVBS output signal voltage (peak-to-peak value)		1.7	2.0	2.3	V
B_{-3}	-3 dB video bandwidth on pin CVBS	B/G and L standard; $C_L < 20\ \text{pF}$; $R_L > 1\ \text{k}\Omega$; AC load	7	8	-	MHz
S/N (W)	weighted signal-to-noise ratio for video		56	60	-	dB
$IM_{\alpha 1.1}$	intermodulation attenuation at 'blue'	$f = 1.1\ \text{MHz}$	58	64	-	dB
$IM_{\alpha 3.3}$	intermodulation attenuation at 'blue'	$f = 3.3\ \text{MHz}$	58	64	-	dB
$\alpha_{H(sup)}$	suppression of harmonics in video signal		35	40	-	dB
$V_{i\ SIF(rms)}$	sound IF input signal voltage sensitivity (RMS value)	-3 dB at intercarrier output	-	30	70	μV
$V_{o(rms)}$	audio output signal voltage (RMS value)	L standard; 54% modulation	-	0.5	-	V
THD	total harmonic distortion	L standard; 54% modulation	-	0.5	1.0	%
S/N (W)	weighted signal-to-noise ratio	L standard; 54% modulation	47	53	-	dB

Multistandard VIF-PLL with QSS-IF and AM demodulator

TDA9811

BLOCK DIAGRAM

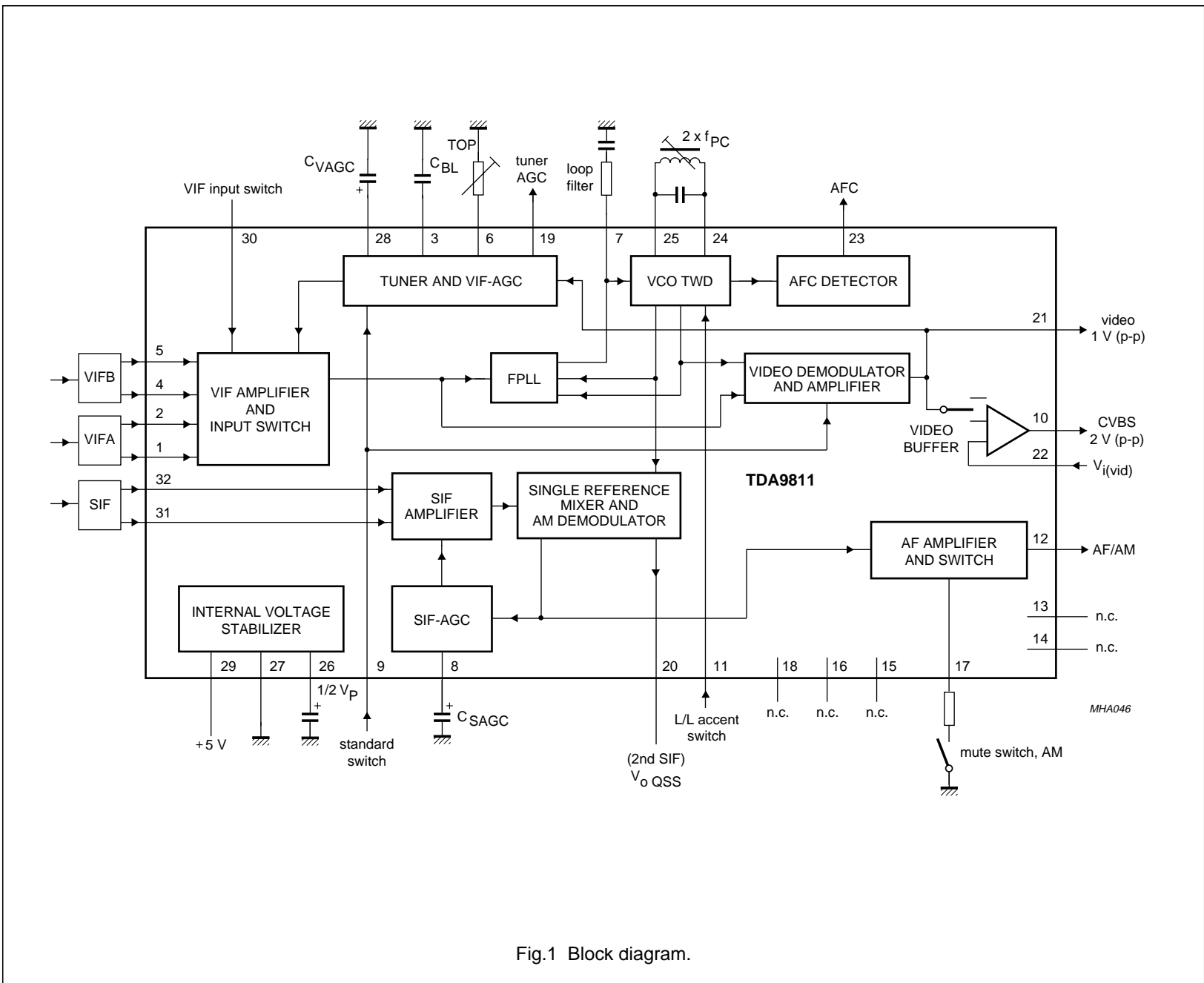


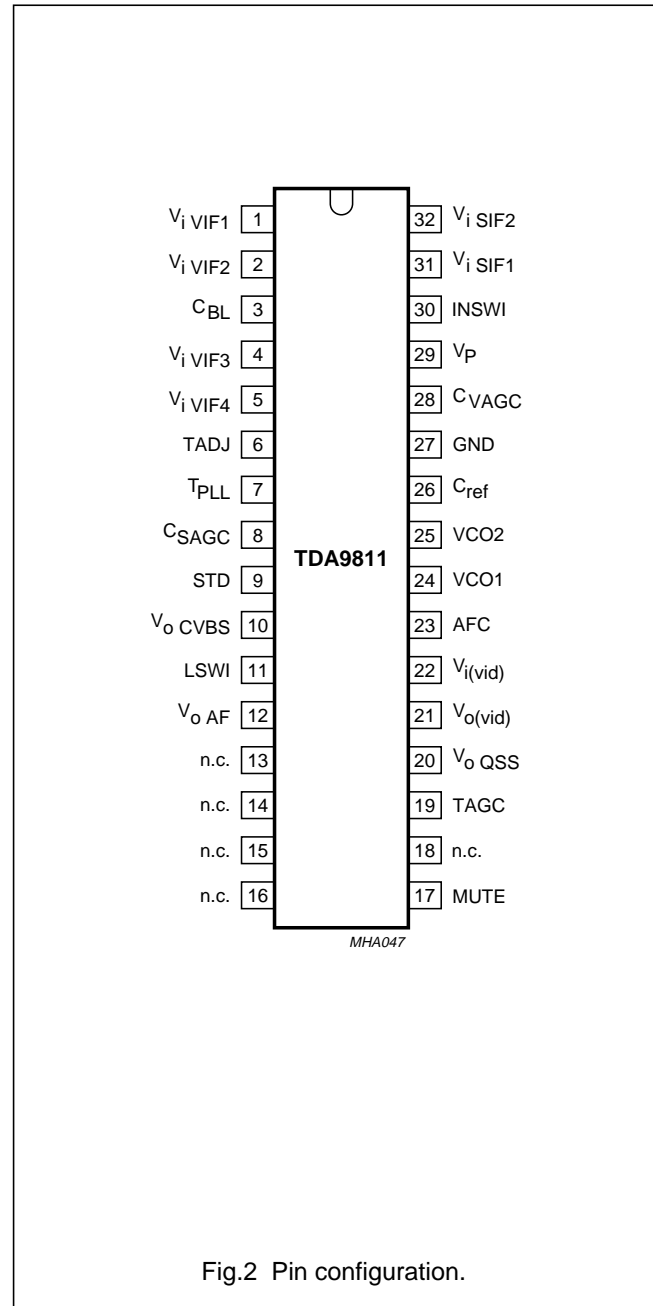
Fig.1 Block diagram.

Multistandard VIF-PLL with QSS-IF and AM demodulator

TDA9811

PINNING

SYMBOL	PIN	DESCRIPTION
V _i VIF1	1	VIF differential input signal voltage 1
V _i VIF2	2	VIF differential input signal voltage 2
C _{BL}	3	black level detector
V _i VIF3	4	VIF differential input signal voltage 3
V _i VIF4	5	VIF differential input signal voltage 4
TADJ	6	tuner AGC takeover adjust (TOP)
T _{PLL}	7	PLL loop filter
C _{SAGC}	8	SIF AGC capacitor
STD	9	standard switch
V _o CVBS	10	CVBS output signal voltage
LSWI	11	L/L accent switch
V _o AF	12	AM audio voltage frequency output
n.c.	13	not connected
n.c.	14	not connected
n.c.	15	not connected
n.c.	16	not connected
MUTE	17	AM mute
n.c.	18	not connected
TAGC	19	tuner AGC output
V _o QSS	20	single reference QSS output voltage
V _{o(vid)}	21	composite video output voltage
V _{i(vid)}	22	video buffer input voltage
AFC	23	AFC output
VCO1	24	VCO1 reference circuit for 2f _{PC}
VCO2	25	VCO2 reference circuit for 2f _{PC}
C _{ref}	26	1/2V _P reference capacitor
GND	27	ground
C _{VAGC}	28	VIF-AGC capacitor
V _P	29	supply voltage
INSWI	30	VIF input switch
V _i SIF1	31	SIF differential input signal voltage 1
V _i SIF2	32	SIF differential input signal voltage 2



Multistandard VIF-PLL with QSS-IF and AM demodulator

TDA9811

FUNCTIONAL DESCRIPTION

The integrated circuit comprises the functional blocks as shown in Fig.1:

- Vision IF amplifier and input switch
- Tuner and VIF-AGC
- Frequency Phase Locked Loop detector (FPLL)
- VCO, Travelling Wave Divider (TWD) and AFC
- Video demodulator and amplifier
- Video buffer
- SIF amplifier and AGC
- Single reference QSS mixer
- AM demodulator
- Internal voltage stabilizer and $\frac{1}{2}V_P$ -reference.

Vision IF amplifier and input switch

The vision IF amplifier consists of three AC-coupled differential amplifier stages. Each differential stage comprises a feedback network controlled by emitter degeneration. The first differential stage is extended by two pairs of emitter followers to provide two IF input channels. The VIF input can be selected by pin 30.

Tuner and VIF-AGC

The AGC capacitor voltage is transferred to an internal IF control signal, and is fed to the tuner AGC to generate the tuner AGC output current (open-collector output). The tuner AGC takeover point can be adjusted. This allows the tuner and the SAW filter to be matched to achieve the optimum IF input level.

The AGC detector charges/discharges the AGC capacitor to the required voltage for setting of VIF and tuner gain in order to keep the video signal at a constant level. Therefore for negative video modulation the sync level and for positive video modulation the peak white level of the video signal is detected. In order to reduce the reaction time for positive modulation, where a very large time constant is needed, an additional level detector increases the discharging current of the AGC capacitor (fast mode) in the event of a decreasing VIF amplitude step. The additional level information is given by the black level detector voltage.

Frequency Phase Locked Loop detector (FPLL)

The VIF-amplifier output signal is fed into a frequency detector and into a phase detector via a limiting amplifier. During acquisition the frequency detector produces a DC current proportional to the frequency difference between

the input and the VCO signal. After frequency lock-in the phase detector produces a DC current proportional to the phase difference between the VCO and the input signal. The DC current of either frequency detector or phase detector is converted into a DC voltage via the loop filter, which controls the VCO frequency. In the event of positive modulated signals the phase detector is gated by composite sync in order to avoid signal distortion for overmodulated VIF signals.

VCO, Travelling Wave Divider (TWD) and AFC

The VCO operates with a resonance circuit (with L and C in parallel) at double the PC frequency. The VCO is controlled by two integrated variable capacitors. The control voltage required to tune the VCO from its free-running frequency to actually double the PC frequency is generated by the frequency-phase detector (FPLL) and fed via the loop filter to the first variable capacitor. This control voltage is amplified and additionally converted into a current which represents the AFC output signal. The VCO centre frequency can be decreased (required for L accent standard) by activating an additional internal capacitor. This is achieved by using the L accent switch. In this event the second variable capacitor can be controlled by a variable resistor at the L accent switch for setting the VCO centre frequency to the required L accent value. At centre frequency the AFC output current is equal to zero.

The oscillator signal is divided-by-two with a TWD which generates two differential output signals with a 90 degree phase difference independent of the frequency.

Video demodulator and amplifier

The video demodulator is realized by a multiplier which is designed for low distortion and large bandwidth. The vision IF input signal is multiplied with the 'in phase' signal of the travelling wave divider output. In the demodulator stage the video signal polarity can be switched in accordance with the TV standard.

The demodulator output signal is fed via an integrated low-pass filter for attenuation of the carrier harmonics to the video amplifier. The video amplifier is realized by an operational amplifier with internal feedback and high bandwidth. A low-pass filter is integrated to achieve an attenuation of the carrier harmonics for B/G and L standard. The standard dependent level shift in this stage delivers the same sync level for positive and negative modulation. The video output signal is 1 V (p-p) for nominal vision IF modulation.

Multistandard VIF-PLL with QSS-IF and AM demodulator

TDA9811

Video buffer

For an easy adaption of the sound traps an operational amplifier with internal feedback is used in the event of B/G and L standard. This amplifier is featured with a high bandwidth and 7 dB gain. The input impedance is adapted for operating in combination with ceramic sound traps. The output stage delivers a nominal 2 V (p-p) positive video signal. Noise clipping is provided.

SIF amplifier and AGC

The sound IF amplifier consists of two AC-coupled differential amplifier stages. Each differential stage comprises a controlled feedback network provided by emitter degeneration.

The SIF AGC detector is related to the SIF input signals (average level of AM or FM carriers) and controls the SIF amplifier to provide a constant SIF signal to the AM demodulator and single reference QSS mixer. The SIF AGC reaction time is set to 'slow' for nominal video conditions. But with a decreasing VIF amplitude step the SIF AGC is set to 'fast' mode controlled by the VIF-AGC detector. In FM mode this reaction time is also set to 'fast' controlled by the standard switch.

Single reference QSS mixer

The single reference QSS mixer is realized by a multiplier. The SIF amplifier output signal is fed to the single reference QSS mixer and converted to intercarrier frequency by the regenerated picture carrier (VCO). The mixer output signal is fed via a high-pass for attenuation of the video signal components to the output pin 20. With this system a high performance hi-fi stereo sound processing can be achieved.

AM demodulator

The AM demodulator is realized by a multiplier. The modulated SIF amplifier output signal is multiplied in phase with the limited (AM is removed) SIF amplifier output signal. The demodulator output signal is fed via an integrated low-pass filter for attenuation of the carrier harmonics to the AF amplifier.

Internal voltage stabilizer and $\frac{1}{2}V_P$ -reference

The bandgap circuit internally generates a voltage of approximately 1.25 V, independent of supply voltage and temperature. A voltage regulator circuit, connected to this voltage, produces a constant voltage of 3.6 V which is used as an internal reference voltage.

For the audio output signal the constant reference voltage cannot be used because large output signals are required. Therefore this signal refers to half the supply voltage to achieve a symmetrical headroom. For ripple and noise attenuation the $\frac{1}{2}V_P$ voltage has to be filtered via a low-pass filter by using an external capacitor together with an integrated resistor ($f_g = 5$ Hz). For a fast setting to $\frac{1}{2}V_P$ an internal start-up circuit is added.

Multistandard VIF-PLL with QSS-IF and AM demodulator

TDA9811

LIMITING VALUES

In accordance with the Absolute Maximum Rating System (IEC 134).

SYMBOL	PARAMETER	CONDITIONS	MIN.	MAX.	UNIT
V _P	supply voltage (pin 29)	maximum chip temperature of 125 °C; note 1	0	7.0	V
V _i	voltage at pins 1 to 9, 11, 12, 19, 22, 23 and 26 to 32		0	V _P	V
t _{s(max)}	maximum short-circuit time		–	10	s
V _{I9}	tuner AGC output voltage		0	13.2	V
T _{stg}	storage temperature		–25	+150	°C
T _{amb}	operating ambient temperature		–20	+70	°C
V _{es}	electrostatic handling voltage	note 2	–300	+300	V

Notes

1. I_P = 125 mA; T_{amb} = 70 °C; R_{th(j-a)} = 60 K/W.
2. Machine model class B (L = 2.5 μH).

THERMAL CHARACTERISTICS

SYMBOL	PARAMETER	CONDITIONS	VALUE	UNIT
R _{th(j-a)}	thermal resistance from junction to ambient	in free air	60	K/W

Multistandard VIF-PLL with QSS-IF and AM demodulator

TDA9811

CHARACTERISTICS

$V_P = 5\text{ V}$; $T_{amb} = 25\text{ °C}$; see Table 1 for input frequencies and carrier ratios; input level $V_{i\text{IF } 1-2, 4-5} = 10\text{ mV RMS value}$ (sync-level for B/G, peak white level for L); video modulation DSB; residual carrier B/G: 10%; L = 3%; video signal in accordance with "CCIR, line 17"; measurements taken in Fig.13; unless otherwise specified.

SYMBOL	PARAMETER	CONDITIONS	MIN.	TYP.	MAX.	UNIT
Supply (pin 29)						
V_P	supply voltage	note 1	4.5	5	5.5	V
I_P	supply current		93	109	125	mA
Vision IF amplifier (pins 1, 2, 4 and 5)						
$V_{i\text{ VIF(rms)}}$	input signal voltage sensitivity (RMS value)	B/G standard; -1 dB video at output	-	60	100	μV
$V_{i\text{ max(rms)}}$	maximum input signal voltage (RMS value)	B/G standard; +1 dB video at output	120	200	-	mV
$\Delta V_{o(\text{int})}$	internal IF amplitude difference between picture and sound carrier	within AGC range; B/G standard; $\Delta f = 5.5\text{ MHz}$	-	0.7	1	dB
G_{IFcr}	IF gain control range	see Fig.3	65	70	-	dB
$R_{i(\text{diff})}$	differential input resistance	note 2; activated input	1.7	2.2	2.7	k Ω
$C_{i(\text{diff})}$	differential input capacitance	note 2; activated input	1.2	1.7	2.5	pF
$V_{1,2,4,5}$	DC input voltage	note 2; activated input	-	3.4	-	V
R_i	input resistance to ground	note 2; not activated input	-	1.1	-	k Ω
$V_{1,2,4,5}$	DC input voltage	note 2; not activated input	-	0.2	-	V
$\alpha_{\text{ct IF}}$	crosstalk attenuation of IF input switch at pins 1, 2, 4 and 5	notes 2 and 3	55	60	-	dB
True synchronous video demodulator; note 4						
$f_{\text{VCO(max)}}$	maximum oscillator frequency for carrier regeneration	$f = 2f_{\text{PC}}$	125	130	-	MHz
$\Delta f_{\text{osc}}/\Delta T$	oscillator drift as a function of temperature	oscillator is free-running; $I_{\text{AFC}} = 0$; note 5	-	-	$\pm 20 \times 10^{-6}$	K ⁻¹
$V_{0\text{ ref(rms)}}$	oscillator voltage swing at pins 24 and 25 (RMS value)		70	100	130	mV
$f_{\text{PC CR}}$	picture carrier capture range	B/G and L standard	± 1.4	± 1.8	-	MHz
		L accent standard; $f_{\text{PC}} = 33.9\text{ MHz}$; $R_{11} = 5.6\text{ k}\Omega$	± 0.9	± 1.2	-	MHz
$Qf_{\text{PC(fr)}}$	picture carrier frequency (free-running) accuracy	L accent standard; $f_{\text{PC}} = 33.9\text{ MHz}$; $R_{11} = 5.6\text{ k}\Omega$	-	± 200	± 400	kHz
$f_{\text{PC(alg)CR}}$	L accent alignment frequency range	$I_{\text{AFC}} = 0$	± 400	± 600	-	kHz
t_{acq}	acquisition time	BL = 75 kHz; note 6	-	-	30	ms
$V_{i\text{ VIF(rms)}}$	VIF input signal voltage sensitivity for PLL to be locked (RMS value; pins 1, 2, 4 and 5)	maximum IF gain; note 7	-	30	70	μV

Multistandard VIF-PLL with QSS-IF and AM demodulator

TDA9811

SYMBOL	PARAMETER	CONDITIONS	MIN.	TYP.	MAX.	UNIT
Composite video amplifier (pin 21; sound carrier off)						
$V_{o\text{ video(p-p)}}$	output signal voltage (peak-to-peak value)	see Fig.8	0.88	1.0	1.12	V
V/S	ratio between video (black-to-white) and sync level		1.9	2.33	3.0	–
$\Delta V_{o(\text{video})}$	output signal voltage difference	difference between B/G and L standard	–	–	± 12	%
$V_{21(\text{sync})}$	sync voltage level	B/G and L standard	–	1.5	–	V
$V_{21(\text{clu})}$	upper video clipping voltage level		$V_P - 1.1$	$V_P - 1$	–	V
$V_{21(\text{cll})}$	lower video clipping voltage level		–	0.7	0.9	V
$R_{o,21}$	output resistance	note 2	–	–	10	Ω
$I_{\text{int } 21}$	internal DC bias current for emitter-follower		2.2	3.0	–	mA
$I_{21\text{ max(sink)}}$	maximum AC and DC output sink current		1.6	–	–	mA
$I_{21\text{ max(source)}}$	maximum AC and DC output source current		2.9	–	–	mA
B_{-1}	–1 dB video bandwidth	B/G and L standard; $C_L < 50\text{ pF}$; $R_L > 1\text{ k}\Omega$; AC load	5	6	–	MHz
B_{-3}	–3 dB video bandwidth	B/G and L standard; $C_L < 50\text{ pF}$; $R_L > 1\text{ k}\Omega$; AC load	7	8	–	MHz
$\alpha_{H(\text{sup})}$	suppression of video signal harmonics	$C_L < 50\text{ pF}$; $R_L > 1\text{ k}\Omega$; AC load; note 8a	35	40	–	dB
PSRR	power supply ripple rejection at pin 21	video signal; grey level; see Fig.11 B/G standard L standard	32 26	35 30	– –	dB dB
CVBS buffer amplifier (only) and noise clipper (pins 10 and 22)						
$R_{i,22}$	input resistance	note 2	2.6	3.3	4.0	$\text{k}\Omega$
$C_{i,22}$	input capacitance	note 2	1.4	2	3.0	pF
$V_{i,22}$	DC input voltage		1.4	1.7	2.0	V
G_V	voltage gain	B/G and L standard; note 9	6.5	7	7.5	dB
$V_{10(\text{clu})}$	upper video clipping voltage level		3.9	4.0	–	V
$V_{10(\text{cll})}$	lower video clipping voltage level		–	1.0	1.1	V
$R_{o,10}$	output resistance	note 2	–	–	10	Ω
$I_{\text{int } 10}$	DC internal bias current for emitter-follower		2.0	2.5	–	mA

Multistandard VIF-PLL with QSS-IF and AM demodulator

TDA9811

SYMBOL	PARAMETER	CONDITIONS	MIN.	TYP.	MAX.	UNIT
$I_{o,10 \max(\text{sink})}$	maximum AC and DC output sink current		1.4	–	–	mA
$I_{o,10 \max(\text{source})}$	maximum AC and DC output source current		2.4	–	–	mA
B_{-1}	–1 dB video bandwidth	B/G and L standard; $C_L < 20 \text{ pF}$; $R_L > 1 \text{ k}\Omega$; AC load	8.4	11	–	MHz
B_{-3}	–3 dB video bandwidth	B/G and L standard; $C_L < 20 \text{ pF}$; $R_L > 1 \text{ k}\Omega$; AC load	11	14	–	MHz
Measurements from IF input to CVBS output (pin 10; 330 Ω between pins 21 and 22, sound carrier off)						
$V_{o \text{ CVBS}(p-p)}$	CVBS output signal voltage on pin 10 (peak-to-peak value)	note 9	1.7	2.0	2.3	V
$V_{o \text{ CVBS}(\text{sync})}$	sync voltage level	B/G standard	–	1.35	–	V
		L standard	–	1.35	–	V
ΔV_o	deviation of CVBS output signal voltage at B/G	50 dB gain control	–	–	0.5	dB
		30 dB gain control	–	–	0.1	dB
$\Delta V_{o(\text{bl}/\text{G})}$	black level tilt in B/G standard	gain variation; note 10	–	–	1	%
$\Delta V_{o(\text{bl})}$	black level tilt for worst case in L standard	picture carrier modulated by test line (VITS) only; gain variation; note 10	–	–	1.9	%
G_{diff}	differential gain	"CCIR, line 330"	–	2	5	%
Φ_{diff}	differential phase	"CCIR, line 330"	–	1	2	deg
B_{-1}	–1 dB video bandwidth	$C_L < 20 \text{ pF}$; $R_L > 1 \text{ k}\Omega$; AC load; B/G and L standard	5	6	–	MHz
B_{-3}	–3 dB video bandwidth	$C_L < 20 \text{ pF}$; $R_L > 1 \text{ k}\Omega$; AC load; B/G and L standard	7	8	–	MHz
S/N (W)	weighted signal-to-noise ratio	see Fig.5 and note 11	56	60	–	dB
S/N	unweighted signal-to-noise ratio	see Fig.5 and note 11	49	53	–	dB
$IM\alpha_{1,1}$	intermodulation attenuation at 'blue'	$f = 1.1 \text{ MHz}$; see Fig.6 and note 12	58	64	–	dB
	intermodulation attenuation at 'yellow'	$f = 1.1 \text{ MHz}$; see Fig.6 and note 12	60	66	–	dB
$IM\alpha_{3,3}$	intermodulation attenuation at 'blue'	$f = 3.3 \text{ MHz}$; see Fig.6 and note 12	58	64	–	dB
	intermodulation attenuation at 'yellow'	$f = 3.3 \text{ MHz}$; see Fig.6 and note 12	59	65	–	dB
$\alpha_{\text{pc}(\text{rms})}$	residual picture carrier (RMS value)	fundamental wave and harmonics; B/G and L standard	–	2	5	mV

Multistandard VIF-PLL with QSS-IF and AM demodulator

TDA9811

SYMBOL	PARAMETER	CONDITIONS	MIN.	TYP.	MAX.	UNIT
$\Delta f_{\text{unwanted(p-p)}}$	robustness for unwanted frequency deviation of picture carrier (peak-to-peak value)	L standard; residual carrier: 3%; serration pulses: 50%; note 2	–	–	12	kHz
$\Delta\phi$	robustness for modulator imbalance	L standard; residual carrier: 0%; serration pulses: 50%; note 2	–	–	3	%
$\alpha_{H(\text{sup})}$	suppression of video signal harmonics	note 8a	35	40	–	dB
$\alpha_{H(\text{spur})}$	spurious elements	note 8b	40	–	–	dB
PSRR	power supply ripple rejection at pin 10	video signal; grey level; see Fig.11 B/G standard L standard	25 20	28 23	– –	dB dB
VIF-AGC detector (pin 28)						
I_{28}	charging current	B/G and L standard; note 10	0.75	1	1.25	mA
	additional charging current	L standard in event of missing VITS pulses and no white video content	1.9	2.5	3.1	μA
	discharging current	B/G standard	15	20	25	μA
		normal mode L standard	225	300	375	nA
t_{resp}	AGC response to an increasing VIF step	B/G and L standard; note 13	–	0.05	0.1	ms/dB
		B/G standard	–	2.2	3.5	ms/dB
	AGC response to a decreasing VIF step	fast mode L standard	–	1.1	1.8	ms/dB
		normal mode L standard; note 13	–	150	240	ms/dB
ΔIF	VIF amplitude step for activating fast AGC mode	L standard	–2	–6	–10	dB
$V_{3(\text{th})}$	threshold voltage level additional charging current	see Fig.8 L standard	–	1.95	–	V
		L standard; fast mode L	–	1.65	–	V
Tuner AGC (pin 19)						
$V_{i(\text{rms})}$	IF input signal voltage for minimum starting point of tuner takeover (RMS value)	input at pins 1, 2, 4 and 5; $R_{\text{TOP}} = 22 \text{ k}\Omega$; $I_{19} = 0.4 \text{ mA}$	–	2	5	mV
	IF input signal voltage for maximum starting point of tuner takeover (RMS value)	input at pins 1, 2, 4 and 5; $R_{\text{TOP}} = 0 \text{ }\Omega$; $I_{19} = 0.4 \text{ mA}$	50	100	–	mV
$V_{o,19}$	permissible output voltage	from external source; note 2	–	–	13.2	V
$V_{\text{sat},19}$	saturation voltage	$I_{19} = 1.5 \text{ mA}$	–	–	0.2	V

Multistandard VIF-PLL with QSS-IF and AM demodulator

TDA9811

SYMBOL	PARAMETER	CONDITIONS	MIN.	TYP.	MAX.	UNIT
$\Delta V_{TOP,19}/\Delta T$	variation of takeover point by temperature	$I_{19} = 0.4 \text{ mA}$	–	0.03	0.07	dB/K
$I_{19(\text{sink})}$	sink current	see Fig.3 no tuner gain reduction; $V_{19} = 13.2 \text{ V}$	–	–	1	μA
		maximum tuner gain reduction	1.5	2	2.6	mA
ΔG_{IF}	IF slip by automatic gain control	tuner gain current from 20 to 80%	–	6	8	dB
AFC circuit (pin 23); see Fig.7 and note 14						
S	control steepness $\Delta I_{23}/\Delta f$	note 15	0.5	0.75	1.0	$\mu\text{A}/\text{kHz}$
$\Delta f_{IF}/\Delta T$	frequency variation by temperature	$I_{AFC} = 0$; note 6 B/G and L standard	–	–	$\pm 20 \times 10^{-6}$	K^{-1}
		L accent standard	–	–	$\pm 60 \times 10^{-6}$	K^{-1}
$V_{o,23}$	output voltage upper limit	see Fig.7 without external components	$V_P - 0.6$	$V_P - 0.3$	–	V
	output voltage lower limit		–	0.3	0.6	V
$I_{o,23(\text{source})}$	output source current	see Fig.7	150	200	250	μA
$I_{o,23(\text{sink})}$	output sink current		150	200	250	μA
$\Delta I_{23(\text{p-p})}$	residual video modulation current (peak-to-peak value)	B/G and L standard	–	20	30	μA
Sound IF amplifier (pins 31 and 32)						
$V_{i \text{ SIF}(\text{rms})}$	input signal voltage sensitivity (RMS value)	FM mode; –3 dB at intercarrier output pin 20	–	30	70	μV
		AM mode; –3 dB at AF output pin 12	–	70	100	μV
$V_{i \text{ max}(\text{rms})}$	maximum input signal voltage (RMS value)	FM mode; +1 dB at intercarrier output pin 20	50	70	–	mV
		AM mode; +1 dB at AF output pin 12	80	140	–	mV
G_{SIFcr}	SIF gain control range	FM and AM mode; see Fig.4	60	67	–	dB
$R_{i(\text{diff})}$	differential input resistance	note 2	1.7	2.2	2.7	k Ω
$C_{i(\text{diff})}$	differential input capacitance	note 2	1.2	1.7	2.5	pF
$V_{I(31,32)}$	DC input voltage		–	3.4	–	V
$\alpha_{\text{ct}(\text{SIF,VIF})}$	crosstalk attenuation between SIF and VIF input	between pins 1, 2, 4 and 5 and pins 31 and 32; note 3	50	–	–	dB
SIF-AGC detector (pin 8)						
I_8	charging current	FM mode	8	12	16	μA
		AM mode	0.8	1.2	1.6	μA
	discharging current	FM mode	8	12	16	μA
		normal mode AM	1	1.4	1.8	μA
	fast mode AM	60	85	110	μA	

Multistandard VIF-PLL with QSS-IF and AM demodulator

TDA9811

SYMBOL	PARAMETER	CONDITIONS	MIN.	TYP.	MAX.	UNIT
Single reference QSS intercarrier mixer (B/G standard; pin 20)						
$V_{o(rms)}$	IF intercarrier level (RMS value)	SC ₁ ; sound carrier 2 off	75	100	125	mV
B_{-3}	-3 dB intercarrier bandwidth	upper limit	7.5	9	-	MHz
$\alpha_{SC(rms)}$	residual sound carrier (RMS value)	fundamental wave and harmonics	-	2	-	mV
$R_{o,20}$	output resistance	note 2	-	-	25	Ω
$V_{O,20}$	DC output voltage		-	2.0	-	V
$I_{int\ 20}$	DC internal bias current for emitter-follower		1.5	1.9	-	mA
$I_{20\ max(sink)}$	maximum AC and DC output sink current		1.1	1.5	-	mA
$I_{20\ max(source)}$	maximum AC and DC output source current		3.0	3.5	-	mA
AM mute switch (pin 17)						
V_{17}	DC voltage	pin 11: 2.8 V to V_P	-	2.8	-	V
		pin 11: 0 to 2 V	-	1.8	-	V
I_{17}	DC current	mute	-	-230	-	μ A
Single reference QSS AF performance for FM operation (B/G standard); (notes 16 to 19; see Table 1)						
S/N (W)	weighted signal-to-noise ratio (SC ₁ /SC ₂)	PC/SC ₁ ratio at pins 1 and 2; 27 kHz (54% FM deviation); "CCIR 468-4"	40	-	-	dB
		black picture	53/48	58/55	-	dB
		white picture	50/46	55/52	-	dB
		6 kHz sine wave; black-to-white modulation	42/40	48/46	-	dB
		250 kHz square wave; black-to-white modulation; see note 2 in Fig.13	45/42	53/50	-	dB
		sound carrier subharmonics; f = 2.75 MHz \pm 3 kHz	45/44	51/50	-	dB
		sound carrier subharmonics; f = 2.87 MHz \pm 3 kHz	46/45	52/51	-	dB

Multistandard VIF-PLL with QSS-IF and AM demodulator

TDA9811

SYMBOL	PARAMETER	CONDITIONS	MIN.	TYP.	MAX.	UNIT
AM operation (L standard; pin 12); note 20						
$V_{o\ AF12(rms)}$	AF output signal voltage (RMS value)	54% modulation	400	500	600	mV
THD	total harmonic distortion	54% modulation; see Fig.10	–	0.5	1.0	%
B_{-3}	–3 dB AF bandwidth		100	125	–	kHz
S/N (W)	weighted signal-to-noise ratio	"CCIR 468-4"; see Fig.9	47	53	–	dB
V_{12}	DC potential voltage	tracked with supply voltage	–	$\frac{1}{2}V_P$	–	V
PSRR	power supply ripple rejection	see Fig.11	22	25	–	dB
Standard switch (pin 9); see also Table 2						
V_9	DC potential voltage for preferred settings					
	input voltage for negative standard	B/G standard; note 21	2.8	–	V_P	V
	input voltage for negative standard	negative AGC off	1.3	–	2.3	V
	input voltage for positive standard	L standard	0	–	0.8	V
I_{IL}	LOW-level input current	$V_9 = 0\ V$	190	250	310	μA
VIF input switch (pin 30); see also Table 2						
V_{30}	DC potential voltage for preferred settings					
	input voltage for VIF input A	B/G and L standard; note 21	2.8	–	V_P	V
	input voltage for VIF input B	B/G and L standard	0	–	0.8	V
I_{IL}	LOW-level input current	$V_{30} = 0\ V$	170	230	290	μA
L accent switch (pin 11)						
V_{11}	DC potential voltage for L standard VCO frequency switching					
	L standard	note 21	2.8	–	V_P	V
	L accent standard and alignment		0	–	2.0	V
I_{IL}	LOW-level input current	$V_{11} = 0\ V$	150	200	250	μA

Notes to the characteristics

1. Values of video and sound parameters are decreased at $V_P = 4.5\ V$.
2. This parameter is not tested during production and is only given as application information for designing the television receiver.
3. Source impedance: 2.3 k Ω in parallel to 12 pF (SAW filter); $f_{IF} = 38.9\ MHz$.

Multistandard VIF-PLL with QSS-IF and AM demodulator

TDA9811

4. Loop bandwidth $BL = 75$ kHz (natural frequency $f_n = 11$ kHz; damping factor $d \approx 3.5$; calculated with sync level within gain control range). Resonance circuit of VCO: $Q_0 > 50$; $C_{ext} = 8.2$ pF ± 0.25 pF; $C_{int} \approx 8.5$ pF (loop voltage approximately 2.7 V).
5. Temperature coefficient of external LC-circuit is equal to zero.
6. $V_{iIF} = 10$ mV RMS; $\Delta f = 1$ MHz (VCO frequency offset related to picture carrier frequency); white picture video modulation.
7. V_{iIF} signal for nominal video signal.
8. Measurements taken with SAW filter G3962 (sound carrier suppression: 40 dB); loop bandwidth $BL = 75$ kHz:
 - a) Modulation VSB; sound carrier **off**; $f_{video} > 0.5$ MHz.
 - b) Sound carrier **on**; SIF SAW filter L9453; $f_{video} = 10$ kHz to 10 MHz.
9. The 7 dB buffer gain accounts for 1 dB loss in the sound trap. Buffer output signal is typical 2 V (p-p), in event of CVBS video amplifier output typical 1 V (p-p). If no sound trap is applied a 330 Ω resistor must be connected from output to input (from pin 21 to pin 22).
10. The leakage current of the AGC capacitor should not exceed 1 μ A at B/G standard respectively 10 nA current at L standard. Larger currents will increase the tilt.
11. S/N is the ratio of black-to-white amplitude to the black level noise voltage (RMS value, pin 10). $B = 5$ MHz weighted in accordance with "CCIR 567".
12. The intermodulation figures are defined:

$$\alpha_{1.1} = 20 \log \left(\frac{V_0 \text{ at } 4.4 \text{ MHz}}{V_0 \text{ at } 1.1 \text{ MHz}} \right) + 3.6 \text{ dB}; \alpha_{1.1} \text{ value at } 1.1 \text{ MHz referenced to black/white signal};$$

$$\alpha_{3.3} = 20 \log \left(\frac{V_0 \text{ at } 4.4 \text{ MHz}}{V_0 \text{ at } 3.3 \text{ MHz}} \right); \alpha_{3.3} \text{ value at } 3.3 \text{ MHz referenced to colour carrier}.$$
13. Response speed valid for a VIF input level range of 200 μ V up to 70 mV.
14. To match the AFC output signal to different tuning systems a current source output is provided. The test circuit is given in Fig.7. The AFC-steepness can be changed by the resistors at pin 23.
15. Depending on the ratio $\Delta C/C_0$ of the LC resonant circuit of VCO ($Q_0 > 50$; see note 4; $C_0 = C_{int} + C_{ext}$).
16. The V_{oQSS} output (pin 20) is analysed by a test demodulator TDA9820. The S/N of this equipment should be higher than 60 dB, related to a deviation of ± 27 kHz, in accordance with "CCIR 468-4".
17. For all S/N measurements the used vision IF modulator has to meet the following specifications:
 - a) Incidental phase modulation for black-to-white jump less than 0.5 degrees.
 - b) QSS AF performance, measured with the television-demodulator AMF2 (audio output, weighted S/N ratio) better than 60 dB (deviation 27 kHz) for 6 kHz sine wave black-to-white video modulation.
 - c) Picture-to-sound carrier ratio; $PC/SC_1 = 13$ dB (transmitter).
18. Measurements taken with SAW filter G3962 (Siemens) for vision IF (suppressed sound carrier) and G9350 (Siemens) for sound IF (suppressed picture carrier). Input level $V_{iSIF} = 10$ mV RMS, 27 kHz (54% FM deviation).
19. The PC/SC ratio at pins 1 and 2 is calculated as the addition of TV transmitter PC/SC ratio and SAW filter PC/SC ratio. This PC/SC ratio is necessary to achieve the S/N (W) values as noted. A different PC/SC ratio will change these values.
20. Measurements taken with SAW filter L9453 (Siemens) for AM sound IF (suppressed picture carrier).
21. The input voltage has to be $V_i > 2.8$ V or open-circuit.

Multistandard VIF-PLL with QSS-IF and AM demodulator

TDA9811

Table 1 Input frequencies and carrier ratios

DESCRIPTION	SYMBOL	B/G STANDARD	L STANDARD	L ACCENT STANDARD	UNIT
Picture carrier	f_{PC}	38.9	38.9	33.9	MHz
Sound carrier	f_{SC1}	33.4	32.4	40.4	MHz
	f_{SC2}	33.158	–	–	MHz
Picture-to-sound carrier ratio	SC_1	13	10	10	dB
	SC_2	20	–	–	dB

Table 2 Switch logic

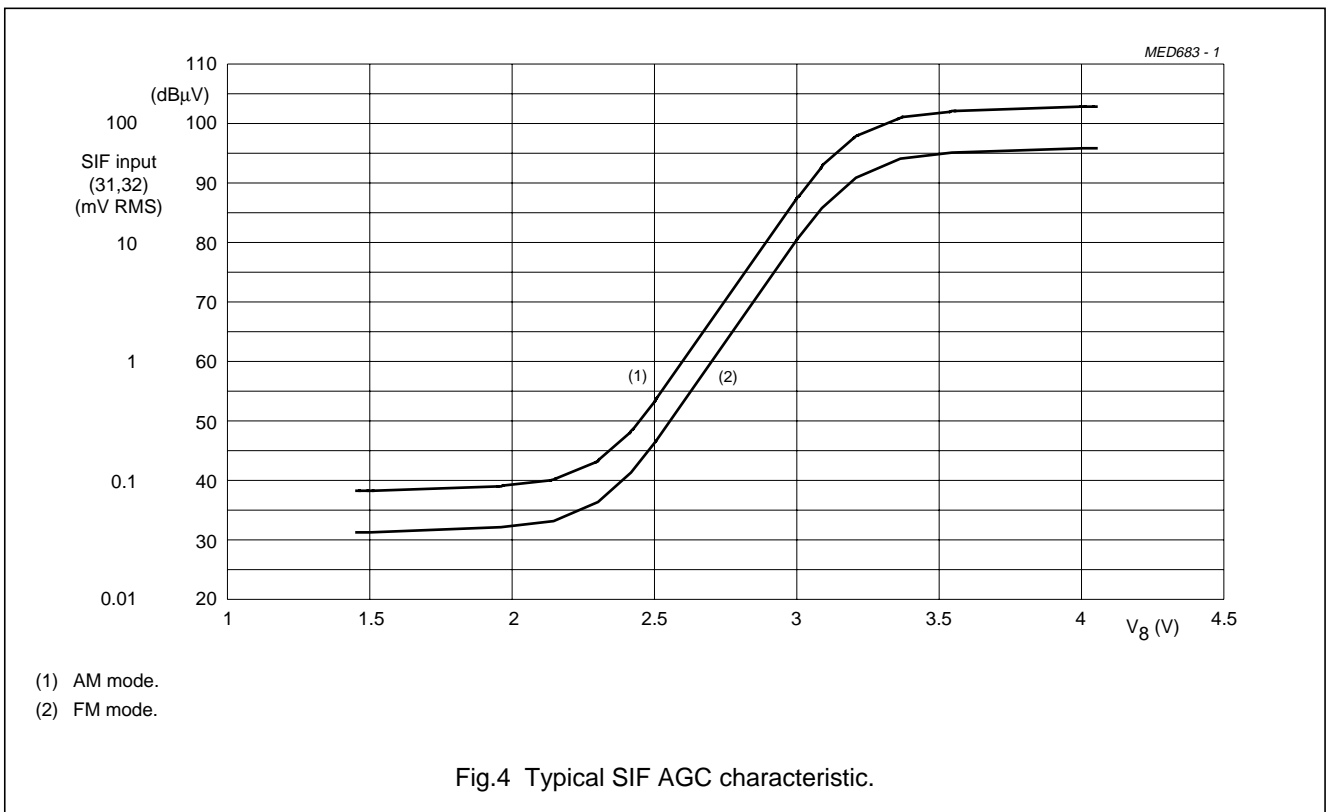
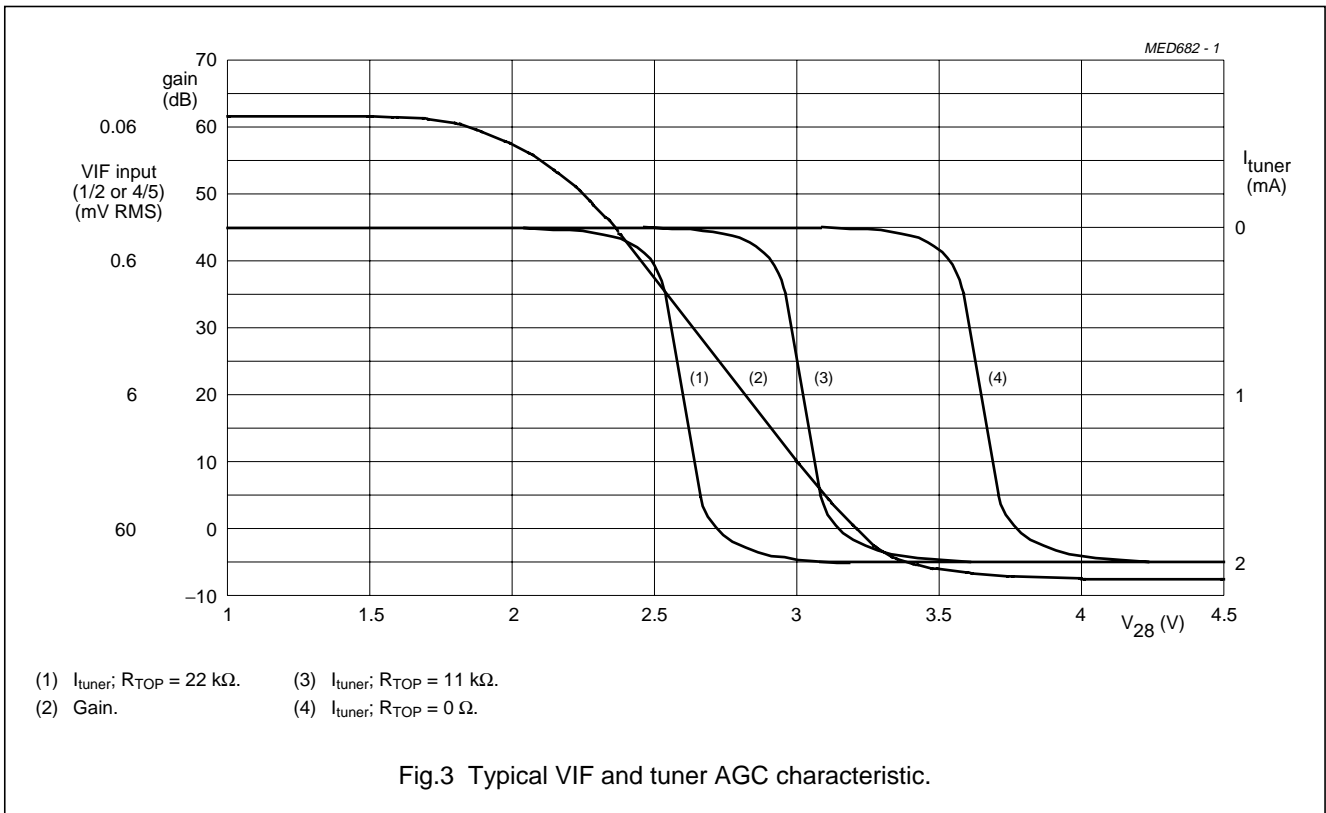
INPUT SWITCH (PIN 30)	STANDARD SWITCH (PIN 9)	SELECTED VIF INPUT	SELECTED STANDARD	VIDEO POLARITY	AF-AMPLIFIER
2.8 V to V_P	2.8 V to V_P	A	B/G	negative	–
	1.3 to 2.3 V	A	B/G, with external VIF AGC	negative	–
	0 to 0.8 V	A	L	positive	AM
1.3 to 2.3 V	0 to 0.8 V	B	L (note 1)	positive	AM
0 to 0.8 V	2.8 V to V_P	B	B/G	negative	–
	1.3 to 2.3 V	B	B/G, with external VIF AGC	negative	–
	0 to 0.8 V	B	L	positive	AM

Note

1. Without external sound trap (video signal internally switched to video buffer).

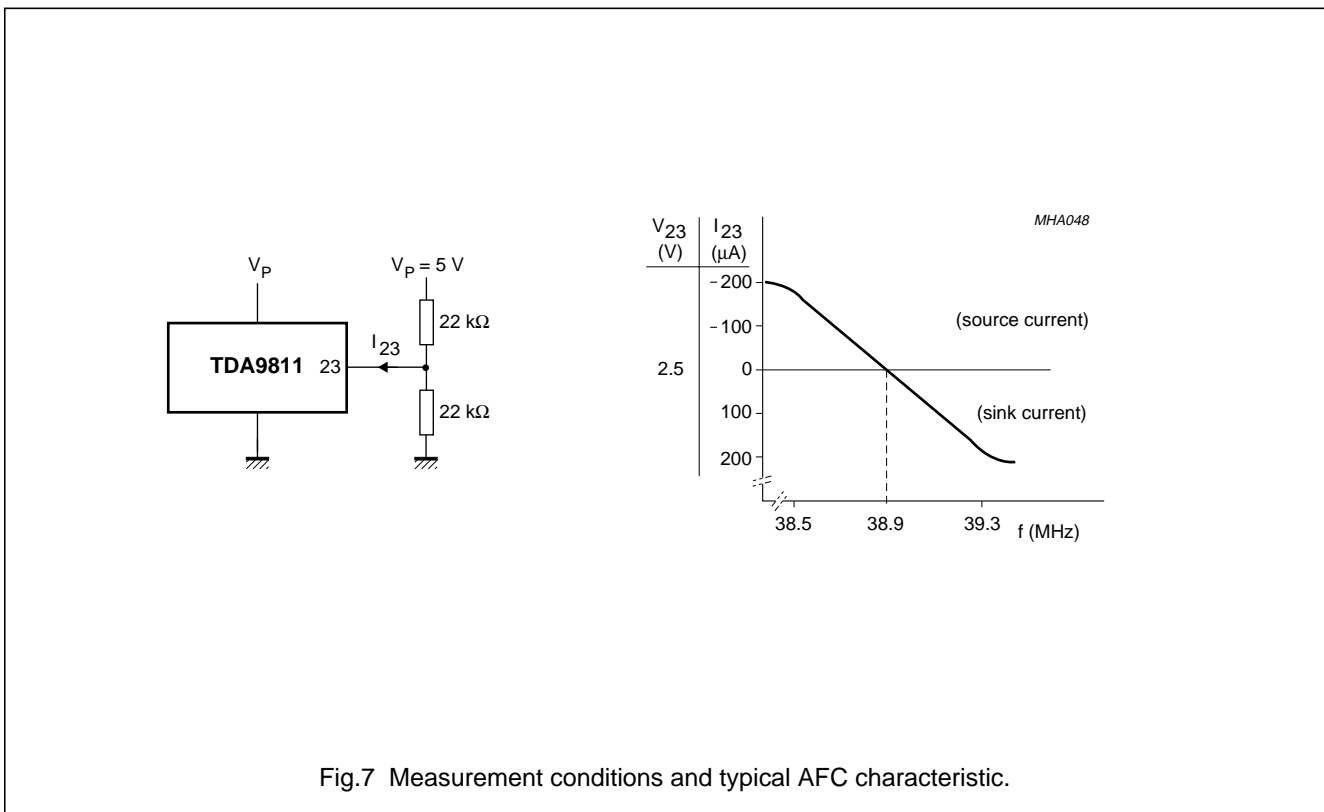
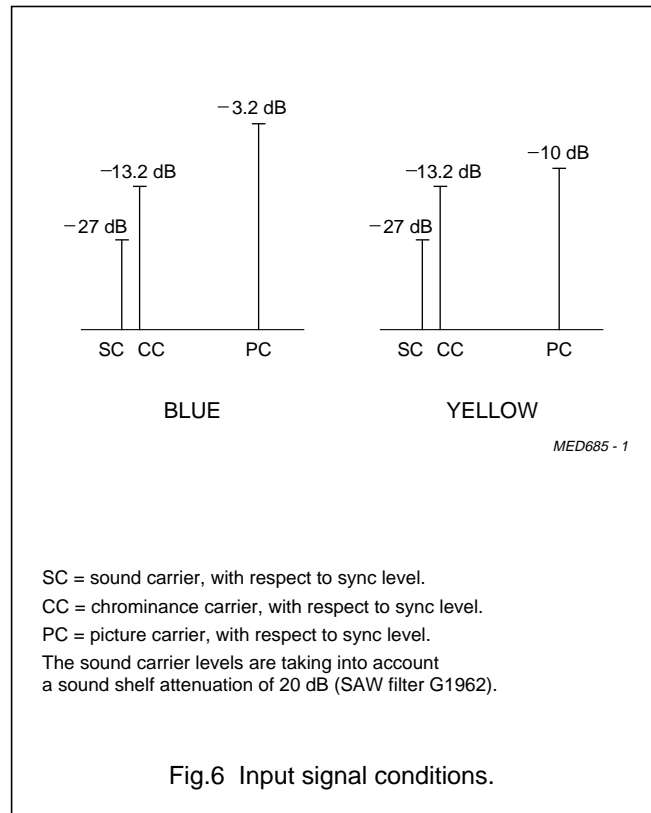
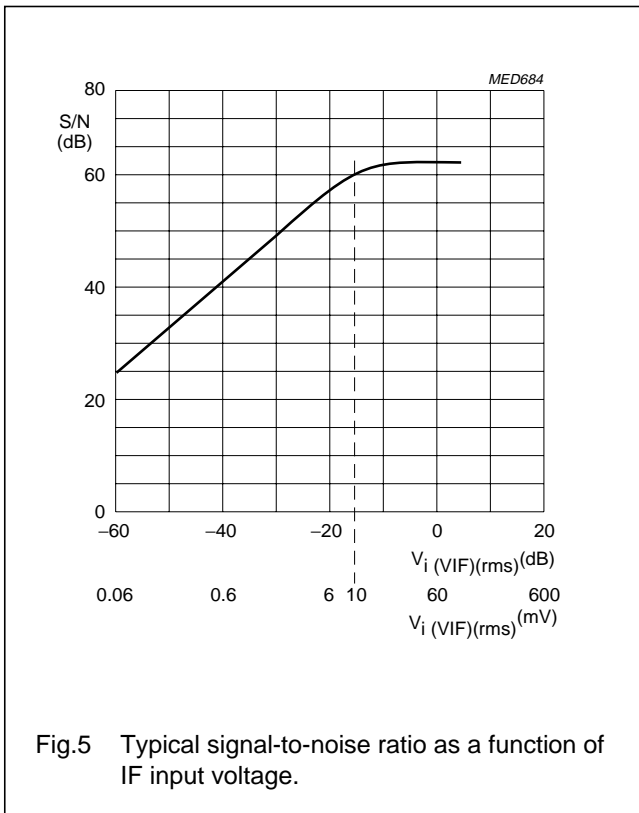
Multistandard VIF-PLL with QSS-IF and AM demodulator

TDA9811



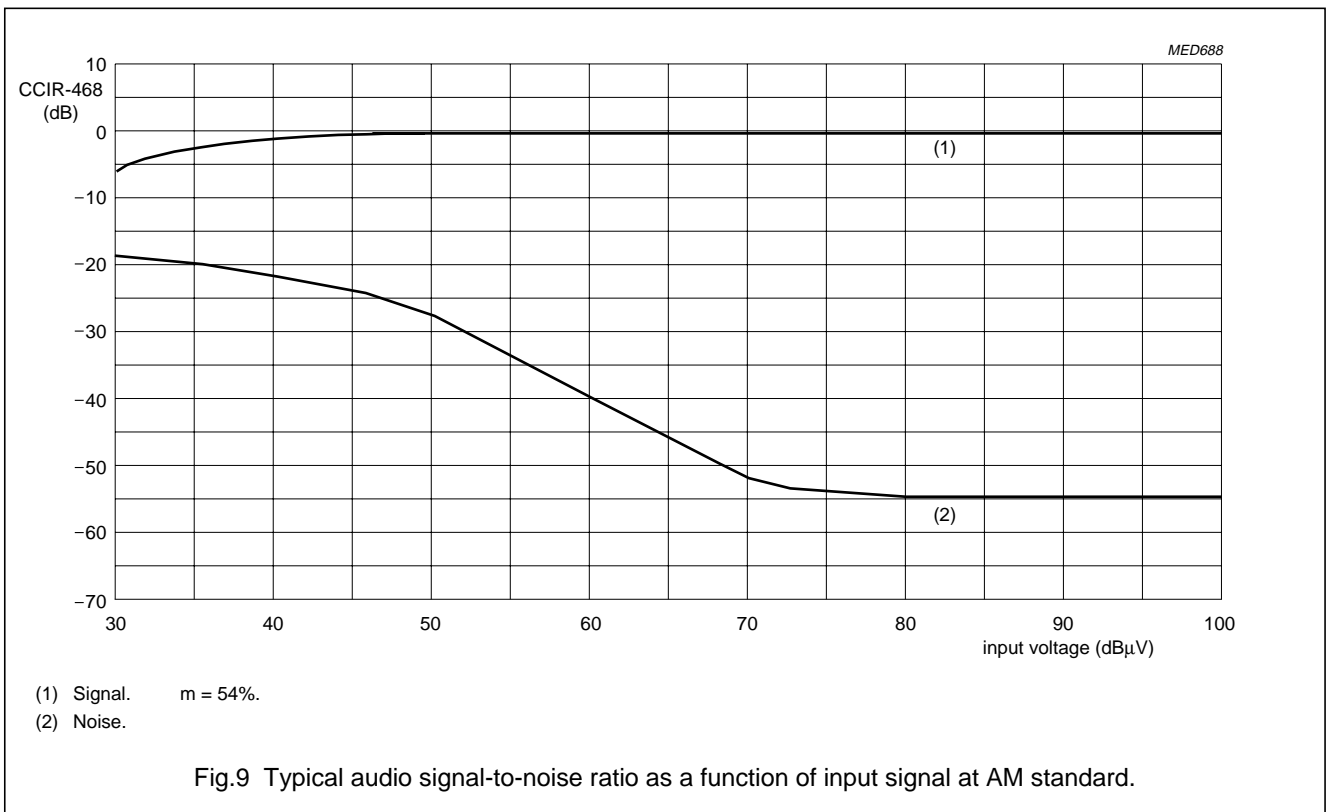
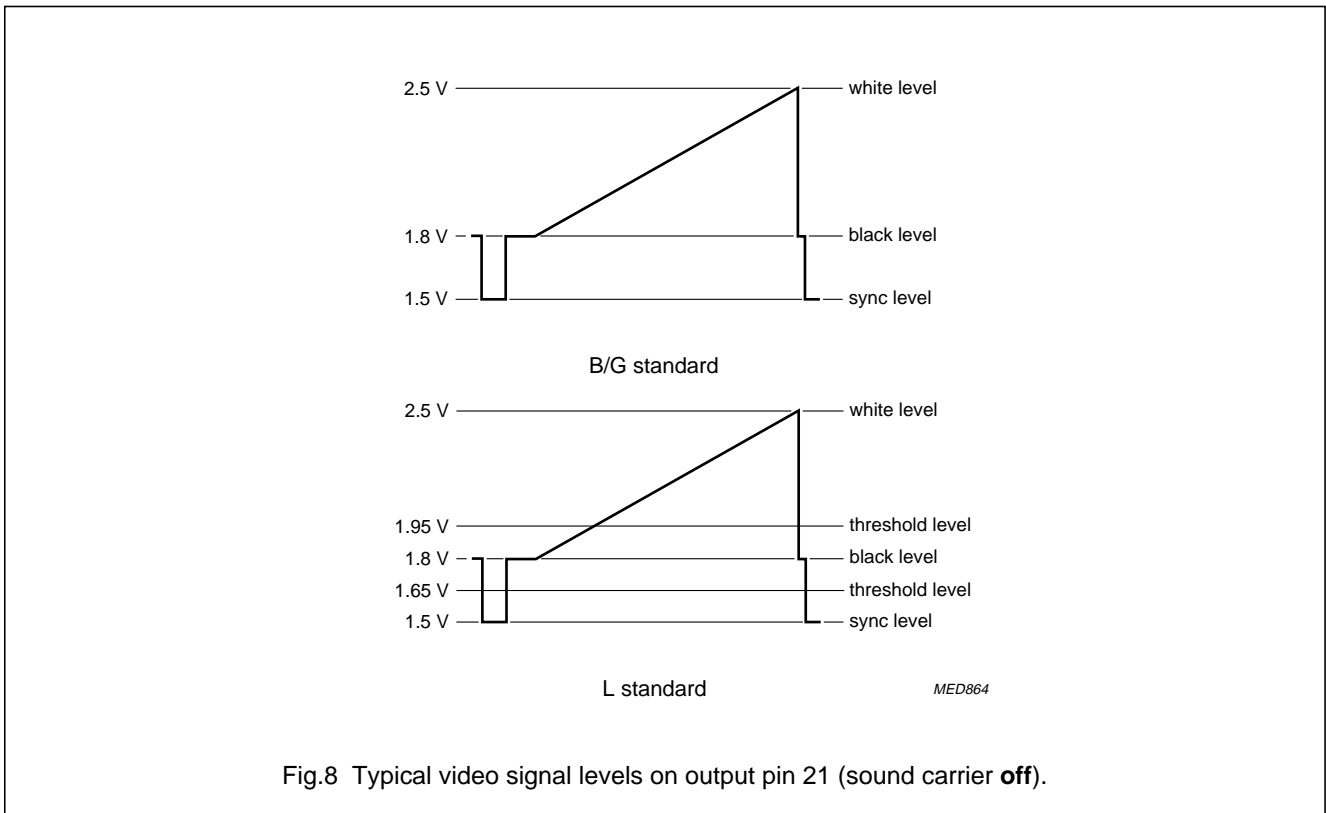
Multistandard VIF-PLL with QSS-IF and AM demodulator

TDA9811



Multistandard VIF-PLL with QSS-IF and AM demodulator

TDA9811



Multistandard VIF-PLL with QSS-IF and AM demodulator

TDA9811

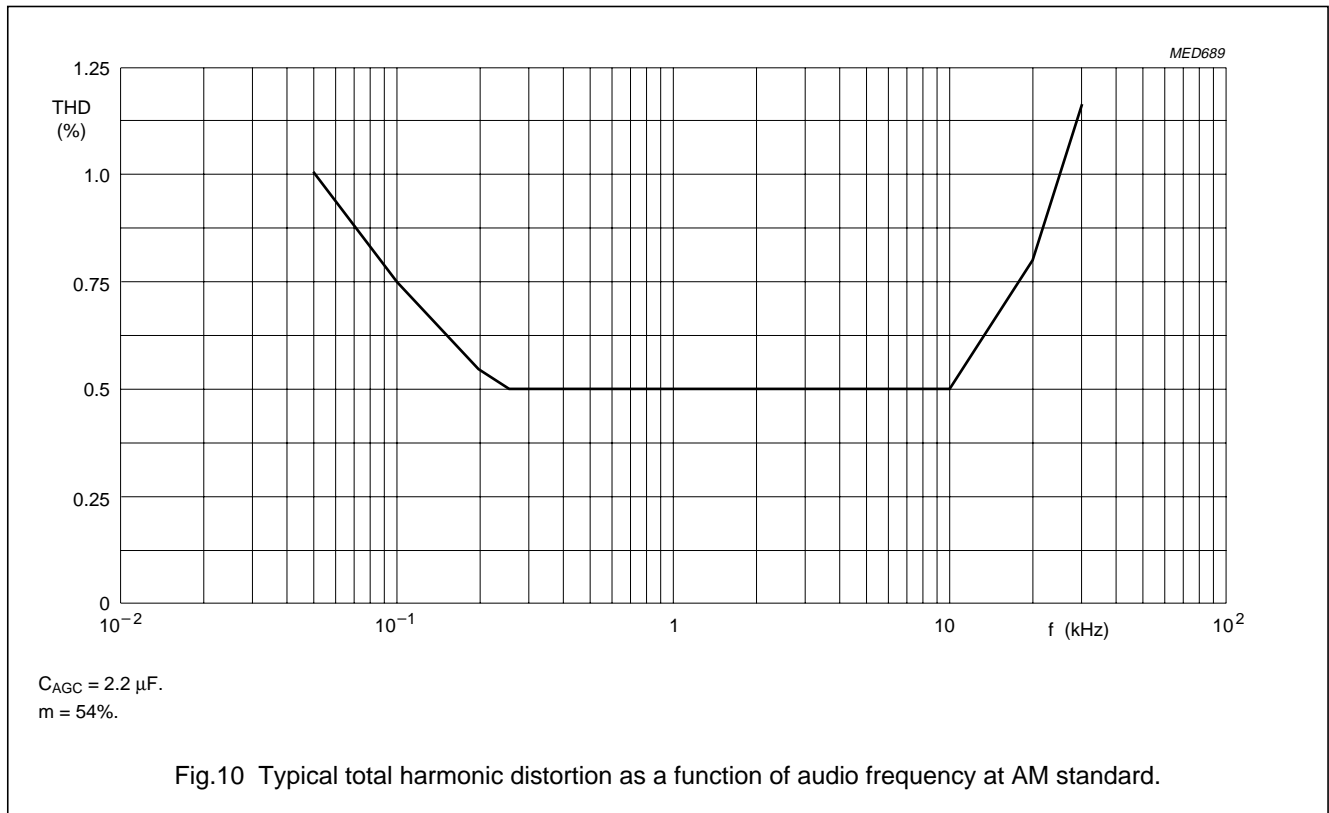


Fig.10 Typical total harmonic distortion as a function of audio frequency at AM standard.

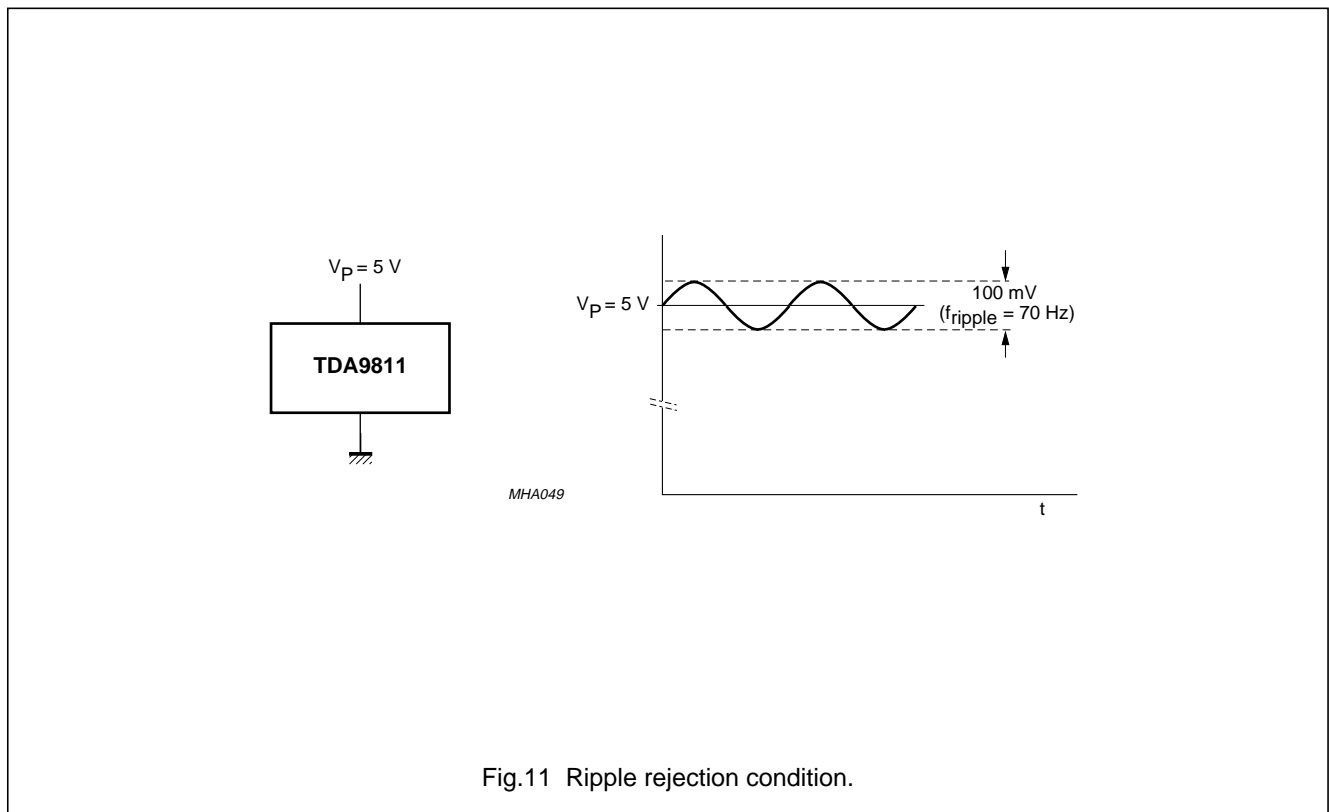
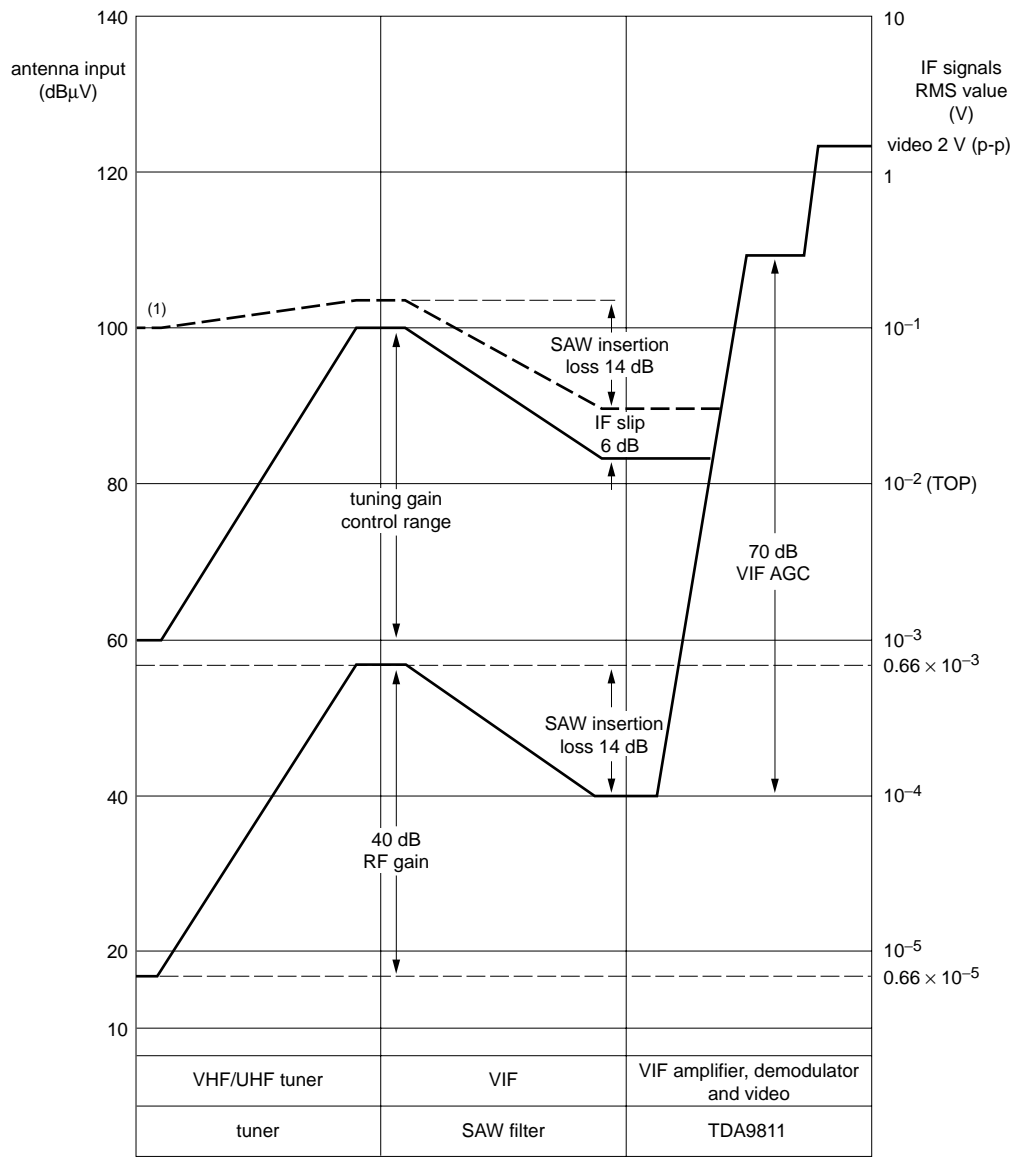


Fig.11 Ripple rejection condition.

Multistandard VIF-PLL with QSS-IF and AM demodulator

TDA9811



(1) Depends on TOP.

Fig.12 Front end level diagram.

Multistandard VIF-PLL with QSS-IF and AM demodulator

TDA9811

INTERNAL CIRCUITRY

Table 3 Equivalent pin circuits and pin voltages

PIN NO.	PIN SYMBOL	DC VOLTAGE (V)	EQUIVALENT CIRCUIT (WITHOUT ESD PROTECTION CIRCUIT)
1	$V_i VIF1$	3.4	
2	$V_i VIF2$	3.4	
3	C_{BL}	0 to 3.2	
4	$V_i VIF3$	3.4	
5	$V_i VIF4$	3.4	

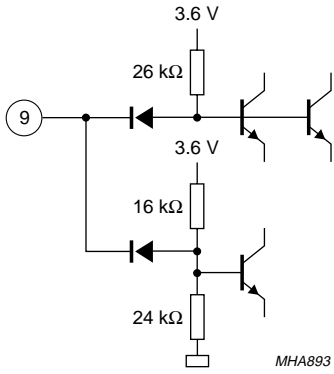
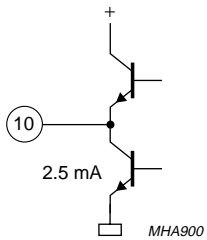
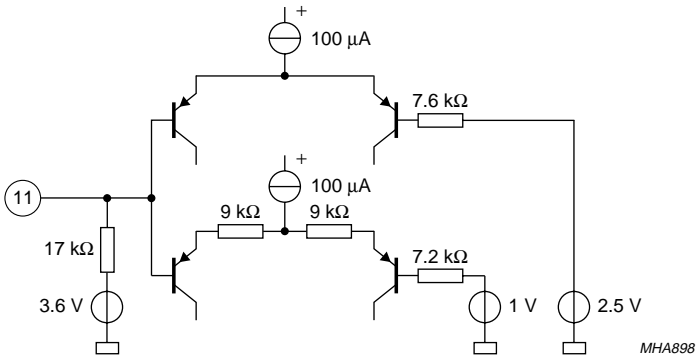
Multistandard VIF-PLL with QSS-IF and AM demodulator

TDA9811

PIN NO.	PIN SYMBOL	DC VOLTAGE (V)	EQUIVALENT CIRCUIT (WITHOUT ESD PROTECTION CIRCUIT)
6	TADJ	0 to 1.9	
7	T _{PLL}	1.5 to 4.0	
8	CSAGC	1.5 to 4.0	

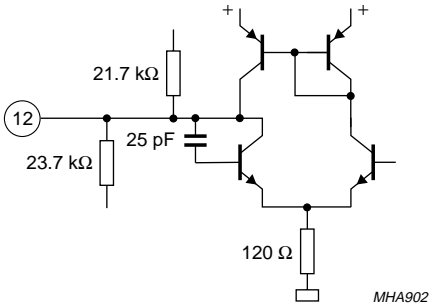
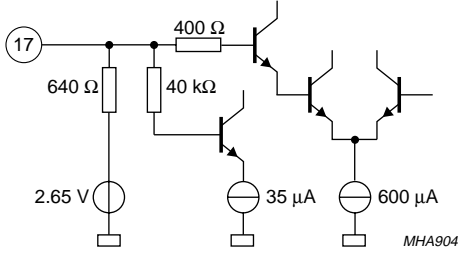
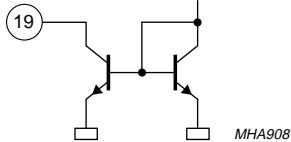
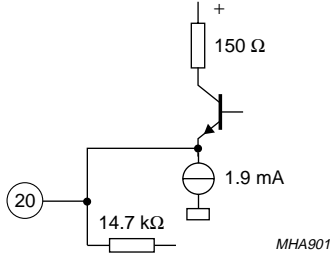
Multistandard VIF-PLL with QSS-IF and AM demodulator

TDA9811

PIN NO.	PIN SYMBOL	DC VOLTAGE (V)	EQUIVALENT CIRCUIT (WITHOUT ESD PROTECTION CIRCUIT)
9	STD	0 to V_P	
10	V_o CVBS	sync level: 1.35	
11	LSWI	0 to V_P	

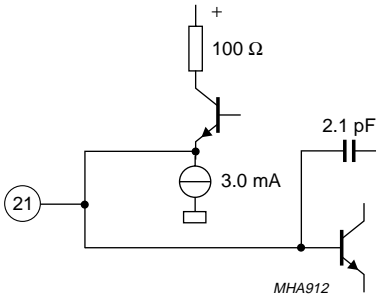
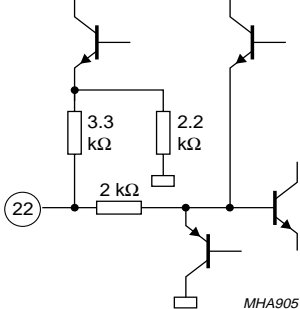
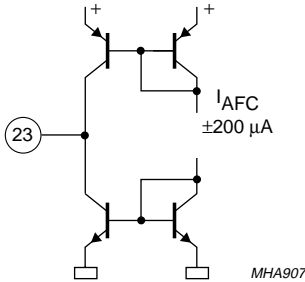
Multistandard VIF-PLL with QSS-IF and AM demodulator

TDA9811

PIN NO.	PIN SYMBOL	DC VOLTAGE (V)	EQUIVALENT CIRCUIT (WITHOUT ESD PROTECTION CIRCUIT)
12	V_{oAF}	2.3	
13	n.c.		
14	n.c.		
15	n.c.		
16	n.c.		
17	MUTE	2.65	
18	n.c.		
19	TAGC	0 to 13.2	
20	V_{oQSS}	2.0	

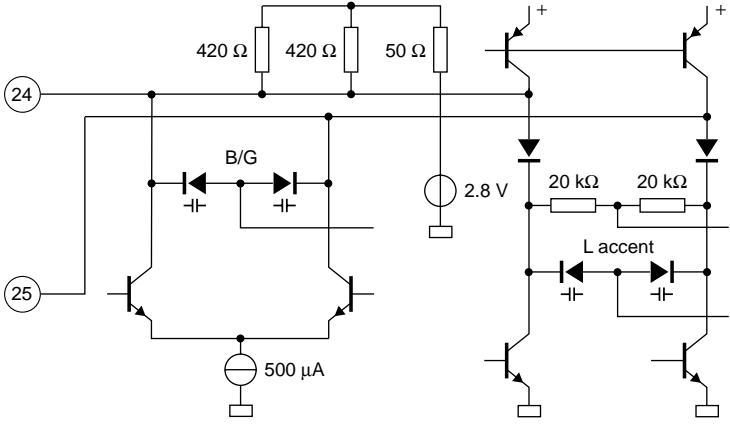
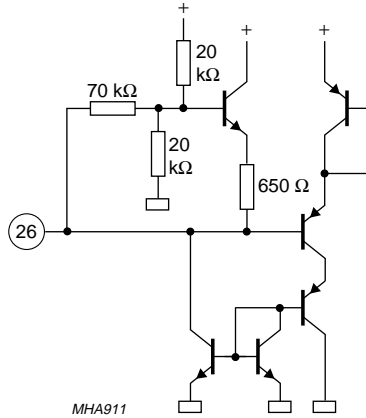
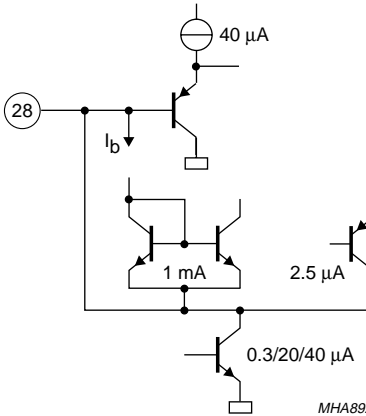
Multistandard VIF-PLL with QSS-IF and AM demodulator

TDA9811

PIN NO.	PIN SYMBOL	DC VOLTAGE (V)	EQUIVALENT CIRCUIT (WITHOUT ESD PROTECTION CIRCUIT)
21	$V_{o(vid)}$	sync level: 1.5	 <p>The equivalent circuit for pin 21 consists of a 100 Ω resistor connected to a positive supply. A 3.0 mA current source is connected to the base of an MHA912 transistor. A 2.1 pF capacitor is connected between the base and emitter of the transistor. The emitter is connected to ground. The output of the transistor is connected to pin 21.</p>
22	$V_{i(vid)}$	1.7	 <p>The equivalent circuit for pin 22 features a 2 kΩ resistor connected to pin 22. This resistor is connected to the base of an MHA905 transistor. A 3.3 kΩ resistor is connected between the base and emitter, and a 2.2 kΩ resistor is connected between the base and collector. The emitter is connected to ground. The collector is connected to a positive supply.</p>
23	AFC	0.3 to $V_P - 0.3$	 <p>The equivalent circuit for pin 23 shows an MHA907 transistor. The base is connected to pin 23. The emitter is connected to ground. The collector is connected to a positive supply. The current through the collector-emitter junction is labeled as $I_{AFC} \pm 200 \mu A$.</p>

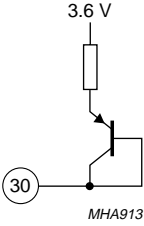
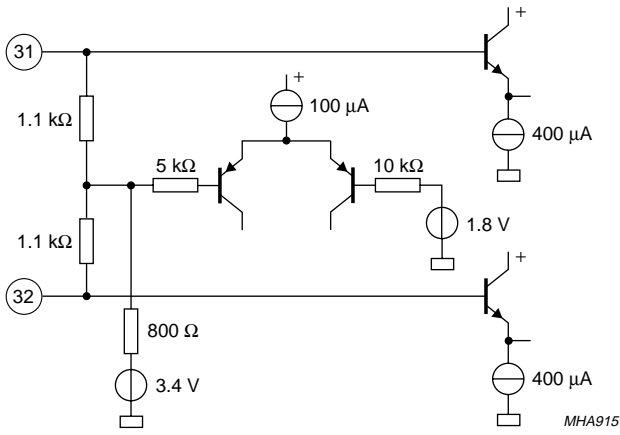
Multistandard VIF-PLL with QSS-IF and AM demodulator

TDA9811

PIN NO.	PIN SYMBOL	DC VOLTAGE (V)	EQUIVALENT CIRCUIT (WITHOUT ESD PROTECTION CIRCUIT)
24	VCO1	2.7	 <p style="text-align: right; font-size: small;">MHA909</p>
25	VCO2	2.7	
26	C _{ref}	1/2V _P	 <p style="text-align: center; font-size: small;">MHA911</p>
27	GND	0	
28	C _{VAGC}	1.5 to 4.0	 <p style="text-align: right; font-size: small;">MHA892</p>
29	V _P	V _P	

Multistandard VIF-PLL with QSS-IF and AM demodulator

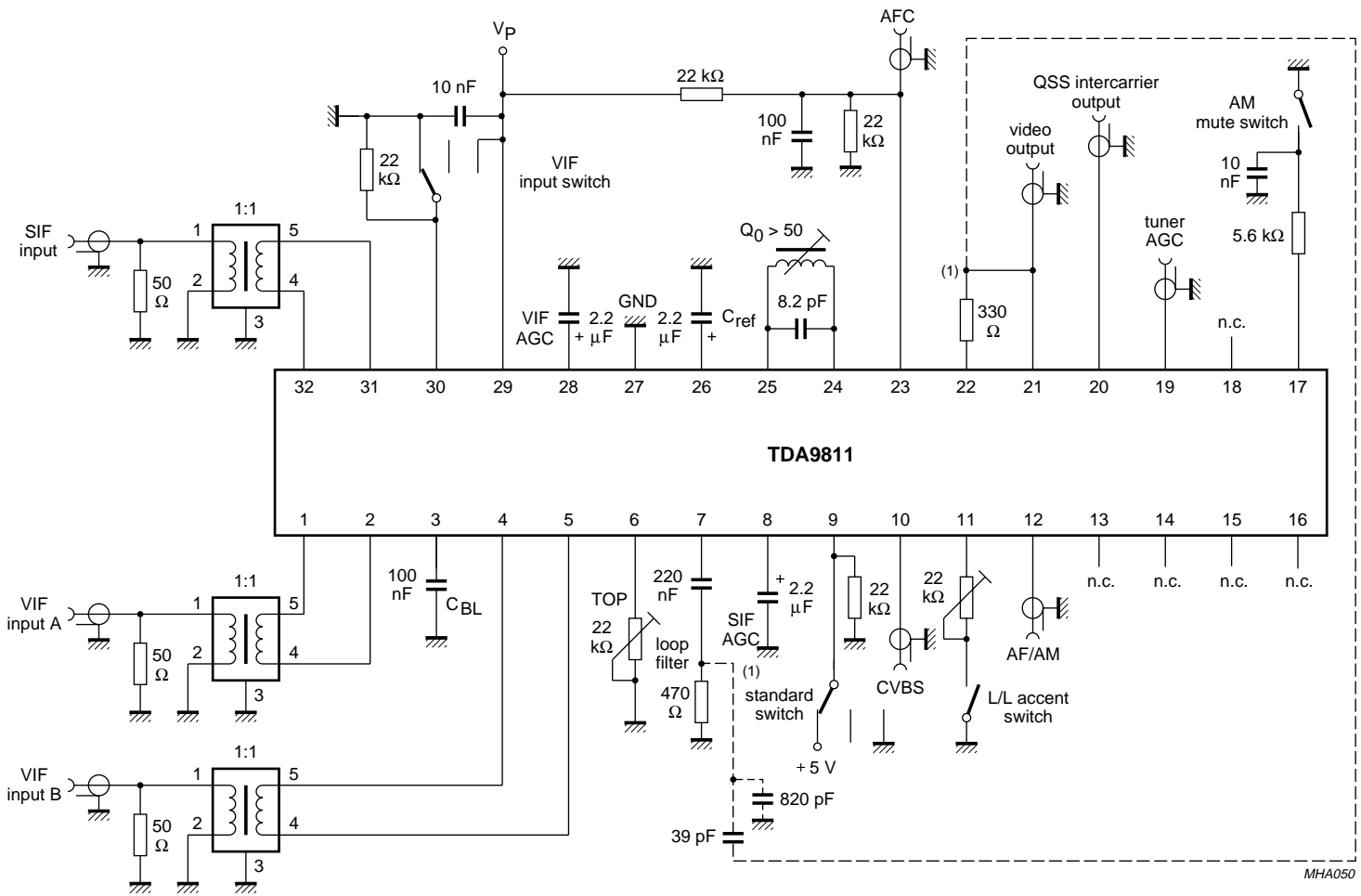
TDA9811

PIN NO.	PIN SYMBOL	DC VOLTAGE (V)	EQUIVALENT CIRCUIT (WITHOUT ESD PROTECTION CIRCUIT)
30	INSWI	0 to V_P	
31	V_i SIF1	3.4	
32	V_i SIF2	3.4	

Multistandard VIF-PLL with QSS-IF and AM demodulator

TDA9811

TEST AND APPLICATION INFORMATION



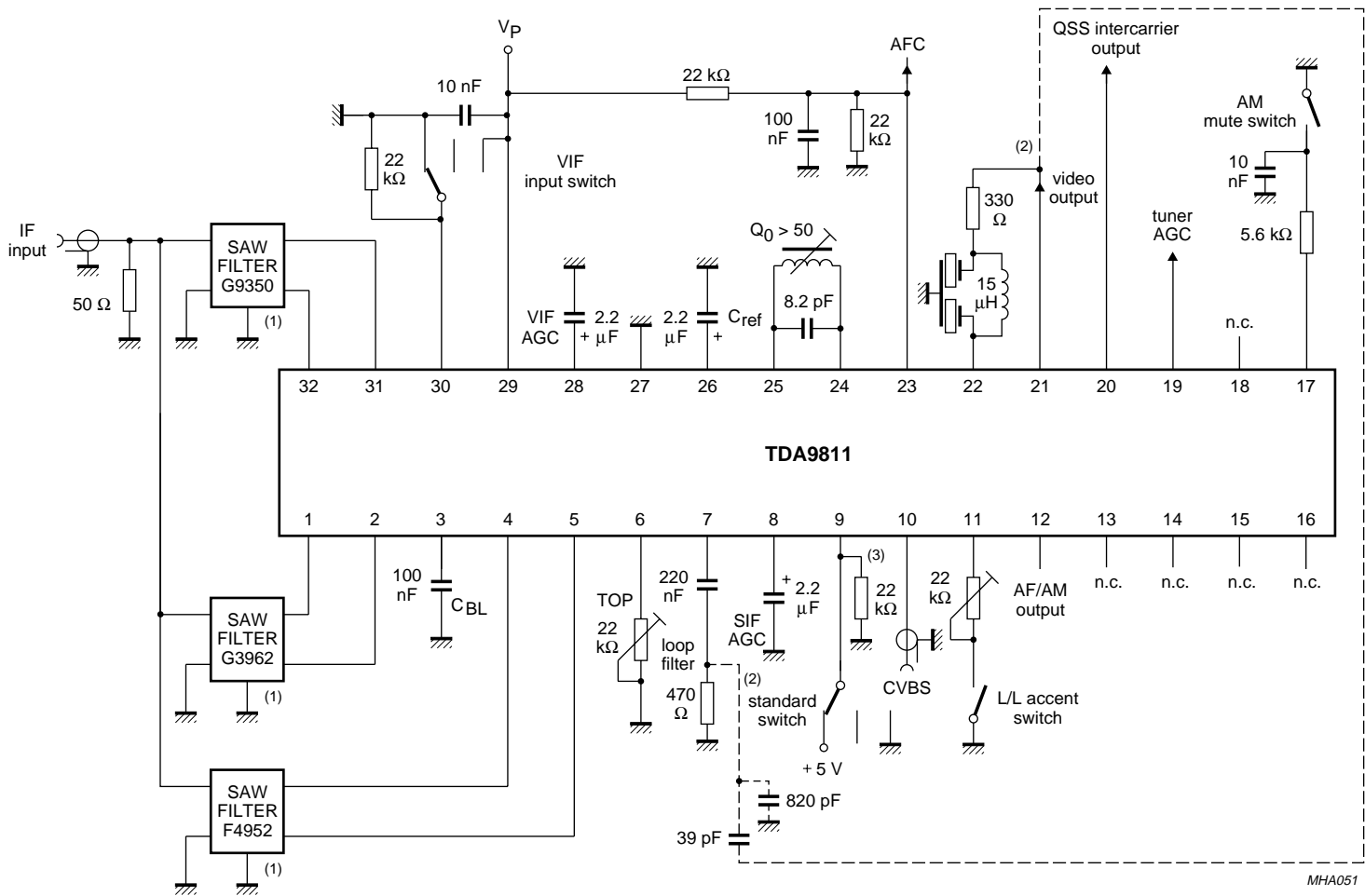
MHA050

(1) Application for improved 250 kHz sound performance.

Fig.13 Test circuit.

Multistandard VIF-PLL with QSS-IF and AM demodulator

TDA9811



MHA051

- (1) Depends on standard.
- (2) Application for improved 250 kHz sound performance.
- (3) Only required for external AGC mode.

Fig.14 Application circuit.

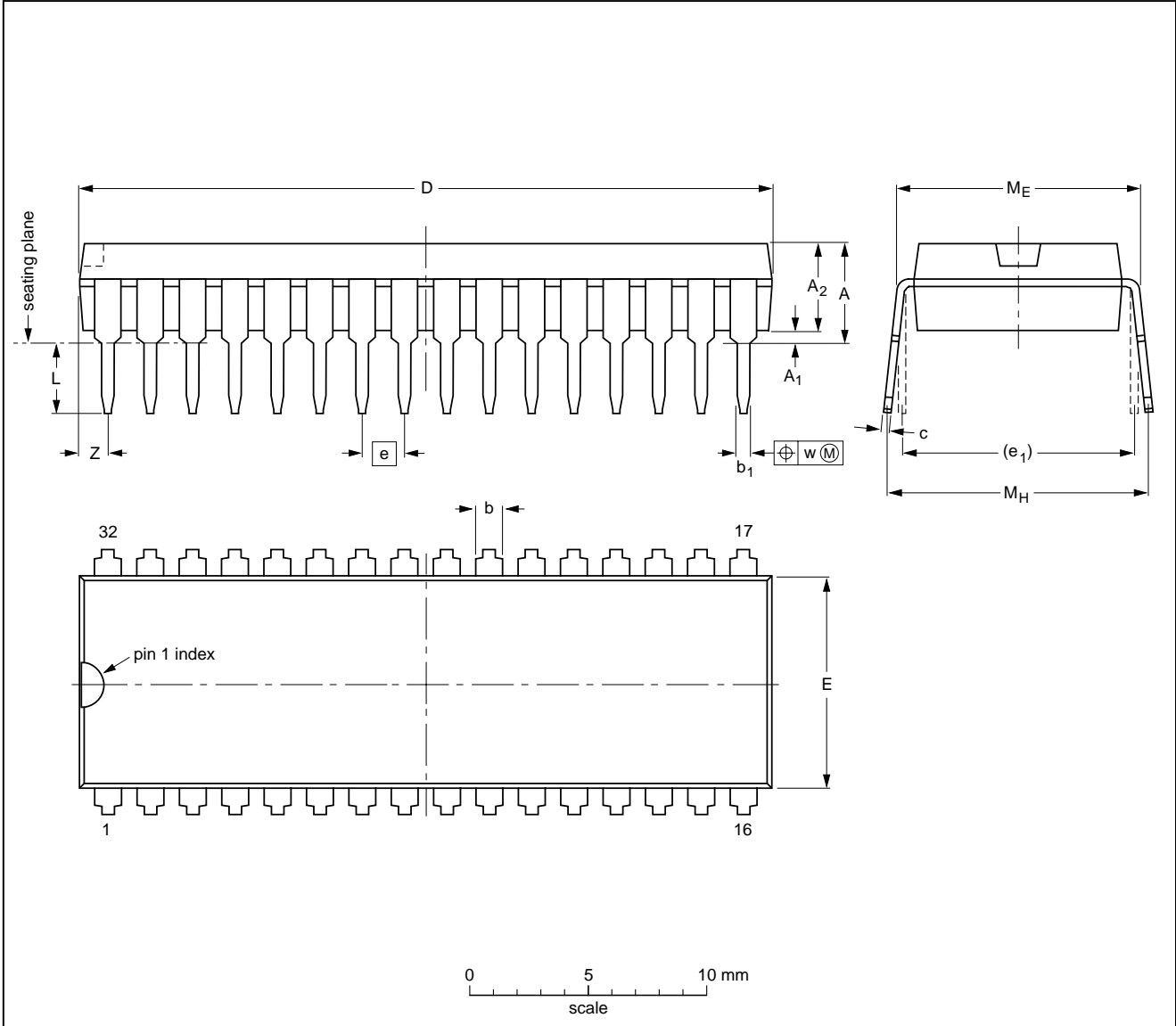
Multistandard VIF-PLL with QSS-IF and AM demodulator

TDA9811

PACKAGE OUTLINE

SDIP32: plastic shrink dual in-line package; 32 leads (400 mil)

SOT232-1



DIMENSIONS (mm are the original dimensions)

UNIT	A max.	A ₁ min.	A ₂ max.	b	b ₁	c	D ⁽¹⁾	E ⁽¹⁾	e	e ₁	L	M _E	M _H	w	Z ⁽¹⁾ max.
mm	4.7	0.51	3.8	1.3 0.8	0.53 0.40	0.32 0.23	29.4 28.5	9.1 8.7	1.778	10.16	3.2 2.8	10.7 10.2	12.2 10.5	0.18	1.6

Note

1. Plastic or metal protrusions of 0.25 mm maximum per side are not included.

OUTLINE VERSION	REFERENCES				EUROPEAN PROJECTION	ISSUE DATE
	IEC	JEDEC	EIAJ			
SOT232-1						92-11-17 95-02-04

Multistandard VIF-PLL with QSS-IF and AM demodulator

TDA9811

SOLDERING

Introduction

There is no soldering method that is ideal for all IC packages. Wave soldering is often preferred when through-hole and surface mounted components are mixed on one printed-circuit board. However, wave soldering is not always suitable for surface mounted ICs, or for printed-circuits with high population densities. In these situations reflow soldering is often used.

This text gives a very brief insight to a complex technology. A more in-depth account of soldering ICs can be found in our "IC Package Databook" (order code 9398 652 90011).

Soldering by dipping or by wave

The maximum permissible temperature of the solder is 260 °C; solder at this temperature must not be in contact with the joint for more than 5 seconds. The total contact time of successive solder waves must not exceed 5 seconds.

The device may be mounted up to the seating plane, but the temperature of the plastic body must not exceed the specified maximum storage temperature ($T_{stg\ max}$). If the printed-circuit board has been pre-heated, forced cooling may be necessary immediately after soldering to keep the temperature within the permissible limit.

Repairing soldered joints

Apply a low voltage soldering iron (less than 24 V) to the lead(s) of the package, below the seating plane or not more than 2 mm above it. If the temperature of the soldering iron bit is less than 300 °C it may remain in contact for up to 10 seconds. If the bit temperature is between 300 and 400 °C, contact may be up to 5 seconds.

DEFINITIONS

Data sheet status	
Objective specification	This data sheet contains target or goal specifications for product development.
Preliminary specification	This data sheet contains preliminary data; supplementary data may be published later.
Product specification	This data sheet contains final product specifications.
Limiting values	
Limiting values given are in accordance with the Absolute Maximum Rating System (IEC 134). Stress above one or more of the limiting values may cause permanent damage to the device. These are stress ratings only and operation of the device at these or at any other conditions above those given in the Characteristics sections of the specification is not implied. Exposure to limiting values for extended periods may affect device reliability.	
Application information	
Where application information is given, it is advisory and does not form part of the specification.	

LIFE SUPPORT APPLICATIONS

These products are not designed for use in life support appliances, devices, or systems where malfunction of these products can reasonably be expected to result in personal injury. Philips customers using or selling these products for use in such applications do so at their own risk and agree to fully indemnify Philips for any damages resulting from such improper use or sale.

Multistandard VIF-PLL with QSS-IF and
AM demodulator

TDA9811

NOTES

Multistandard VIF-PLL with QSS-IF and
AM demodulator

TDA9811

NOTES

Philips Semiconductors – a worldwide company

Argentina: see South America

Australia: 34 Waterloo Road, NORTH RYDE, NSW 2113,
Tel. +61 2 9805 4455, Fax. +61 2 9805 4466

Austria: Computerstr. 6, A-1101 WIEN, P.O. Box 213, Tel. +43 160 1010,
Fax. +43 160 101 1210

Belarus: Hotel Minsk Business Center, Bld. 3, r. 1211, Volodarski Str. 6,
220050 MINSK, Tel. +375 172 200 733, Fax. +375 172 200 773

Belgium: see The Netherlands

Brazil: see South America

Bulgaria: Philips Bulgaria Ltd., Energoproject, 15th floor,
51 James Bourchier Blvd., 1407 SOFIA,
Tel. +359 2 689 211, Fax. +359 2 689 102

Canada: PHILIPS SEMICONDUCTORS/COMPONENTS,
Tel. +1 800 234 7381

China/Hong Kong: 501 Hong Kong Industrial Technology Centre,
72 Tat Chee Avenue, Kowloon Tong, HONG KONG,
Tel. +852 2319 7888, Fax. +852 2319 7700

Colombia: see South America

Czech Republic: see Austria

Denmark: Prags Boulevard 80, PB 1919, DK-2300 COPENHAGEN S,
Tel. +45 32 88 2636, Fax. +45 31 57 0044

Finland: Sinikalliontie 3, FIN-02630 ESPOO,
Tel. +358 9 615800, Fax. +358 9 61580920

France: 51 Rue Carnot, BP317, 92156 SURESNES Cedex,
Tel. +33 1 40 99 6161, Fax. +33 1 40 99 6427

Germany: Hammerbrookstraße 69, D-20097 HAMBURG,
Tel. +49 40 23 53 60, Fax. +49 40 23 536 300

Greece: No. 15, 25th March Street, GR 17778 TAVROS/ATHENS,
Tel. +30 1 4894 339/239, Fax. +30 1 4814 240

Hungary: see Austria

India: Philips INDIA Ltd, Band Box Building, 2nd floor,
254-D, Dr. Annie Besant Road, Worli, MUMBAI 400 025,
Tel. +91 22 493 8541, Fax. +91 22 493 0966

Indonesia: see Singapore

Ireland: Newstead, Clonskeagh, DUBLIN 14,
Tel. +353 1 7640 000, Fax. +353 1 7640 200

Israel: RAPAC Electronics, 7 Kehilat Saloniki St, PO Box 18053,
TEL AVIV 61180, Tel. +972 3 645 0444, Fax. +972 3 649 1007

Italy: PHILIPS SEMICONDUCTORS, Piazza IV Novembre 3,
20124 MILANO, Tel. +39 2 6752 2531, Fax. +39 2 6752 2557

Japan: Philips Bldg 13-37, Kohnan 2-chome, Minato-ku, TOKYO 108,
Tel. +81 3 3740 5130, Fax. +81 3 3740 5077

Korea: Philips House, 260-199 Itaewon-dong, Yongsan-ku, SEOUL,
Tel. +82 2 709 1412, Fax. +82 2 709 1415

Malaysia: No. 76 Jalan Universiti, 46200 PETALING JAYA, SELANGOR,
Tel. +60 3 750 5214, Fax. +60 3 757 4880

Mexico: 5900 Gateway East, Suite 200, EL PASO, TEXAS 79905,
Tel. +9-5 800 234 7381

Middle East: see Italy

Netherlands: Postbus 90050, 5600 PB EINDHOVEN, Bldg. VB,
Tel. +31 40 27 82785, Fax. +31 40 27 88399

New Zealand: 2 Wagener Place, C.P.O. Box 1041, AUCKLAND,
Tel. +64 9 849 4160, Fax. +64 9 849 7811

Norway: Box 1, Manglerud 0612, OSLO,
Tel. +47 22 74 8000, Fax. +47 22 74 8341

Philippines: Philips Semiconductors Philippines Inc.,
106 Valero St. Salcedo Village, P.O. Box 2108 MCC, MAKATI,
Metro MANILA, Tel. +63 2 816 6380, Fax. +63 2 817 3474

Poland: Ul. Lukiska 10, PL 04-123 WARSZAWA,
Tel. +48 22 612 2831, Fax. +48 22 612 2327

Portugal: see Spain

Romania: see Italy

Russia: Philips Russia, Ul. Usatcheva 35A, 119048 MOSCOW,
Tel. +7 095 755 6918, Fax. +7 095 755 6919

Singapore: Lorong 1, Toa Payoh, SINGAPORE 1231,
Tel. +65 350 2538, Fax. +65 251 6500

Slovakia: see Austria

Slovenia: see Italy

South Africa: S.A. PHILIPS Pty Ltd., 195-215 Main Road Martindale,
2092 JOHANNESBURG, P.O. Box 7430 Johannesburg 2000,
Tel. +27 11 470 5911, Fax. +27 11 470 5494

South America: Al. Vicente Pinzon, 173, 6th floor,
04547-130 SÃO PAULO, SP, Brazil,
Tel. +55 11 821 2333, Fax. +55 11 821 2382

Spain: Balmes 22, 08007 BARCELONA,
Tel. +34 3 301 6312, Fax. +34 3 301 4107

Sweden: Kottbygatan 7, Akalla, S-16485 STOCKHOLM,
Tel. +46 8 632 2000, Fax. +46 8 632 2745

Switzerland: Allmendstrasse 140, CH-8027 ZÜRICH,
Tel. +41 1 488 2686, Fax. +41 1 488 3263

Taiwan: Philips Semiconductors, 6F, No. 96, Chien Kuo N. Rd., Sec. 1,
TAIPEI, Taiwan Tel. +886 2 2134 2865, Fax. +886 2 2134 2874

Thailand: PHILIPS ELECTRONICS (THAILAND) Ltd.,
209/2 Sanpavuth-Bangna Road Prakanong, BANGKOK 10260,
Tel. +66 2 745 4090, Fax. +66 2 398 0793

Turkey: Talatpasa Cad. No. 5, 80640 GÜLTEPE/ISTANBUL,
Tel. +90 212 279 2770, Fax. +90 212 282 6707

Ukraine: PHILIPS UKRAINE, 4 Patrice Lumumba str., Building B, Floor 7,
252042 KIEV, Tel. +380 44 264 2776, Fax. +380 44 268 0461

United Kingdom: Philips Semiconductors Ltd., 276 Bath Road, Hayes,
MIDDLESEX UB3 5BX, Tel. +44 181 730 5000, Fax. +44 181 754 8421

United States: 811 East Arques Avenue, SUNNYVALE, CA 94088-3409,
Tel. +1 800 234 7381

Uruguay: see South America

Vietnam: see Singapore

Yugoslavia: PHILIPS, Trg N. Pasica 5/v, 11000 BEOGRAD,
Tel. +381 11 625 344, Fax. +381 11 635 777

For all other countries apply to: Philips Semiconductors,
International Marketing & Sales Communications, Building BE-p, P.O. Box 218,
5600 MD EINDHOVEN, The Netherlands, Fax. +31 40 27 24825

Internet: <http://www.semiconductors.philips.com>

© Philips Electronics N.V. 1998

SCA57

All rights are reserved. Reproduction in whole or in part is prohibited without the prior written consent of the copyright owner.

The information presented in this document does not form part of any quotation or contract, is believed to be accurate and reliable and may be changed without notice. No liability will be accepted by the publisher for any consequence of its use. Publication thereof does not convey nor imply any license under patent- or other industrial or intellectual property rights.

Printed in The Netherlands

545104/1200/02/pp36

Date of release: 1998 Feb 09

Document order number: 9397 750 03123

Let's make things better.

**Philips
Semiconductors**



PHILIPS